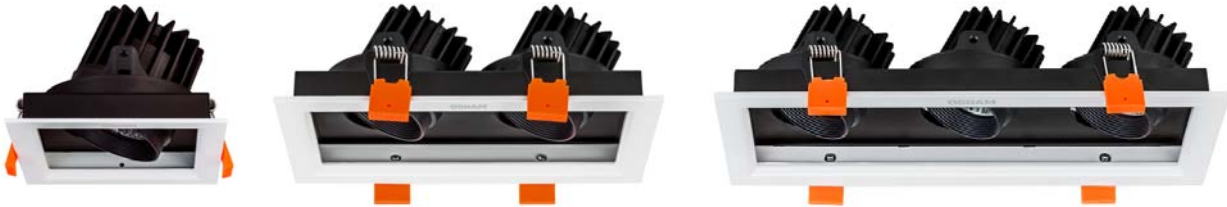


## LED COMFO® Multi-head Datasheet



LED COMFO® Multi-head series is a cost-effective LED replacement for traditional multiple head spot light. The series is available up to three heads arrangement with multiple power options and beam angles for different application requirements. Thanks to its adjustable structure, multiple objects can be illuminated from different directions. LED COMFO® Multi-head series brings good glare control with multiple beam angles and is the ideal choice for demanding accent lighting with a limited budget.

### Benefits

Flexible product options

- 15° / 24° / 40° beam angle options
- Up to 3 heads arrangement
- 30° vertical adjustable, 180° horizontal adjustable

Reliability and easy installation

- Individual driver for each module and failure of single module won't affect others
- Die-casting housing
- Rimless design for easy installation

Quality light and energy saving

- Best-in-class COB platform provides consistent and even color and brightness
- More than 50% energy saving comparing to traditional multi-head spot light
- Concave stepping cover design to provide good glare control

### Applications

- Merchandise displays
- Commercial buildings
- Retail stores
- Shopping Malls
- Lobbies and corridors
- Households

# LED COMFO® Multi-head

## Technical Data

### Optical Specifications

		9W × 1	9W × 2	9W × 3	18W × 1	18W × 2	30W × 1	30W × 2
Luminous Flux	3000K	631 lm	1267 lm	1787 lm	1421 lm	2657 lm	2310 lm	4477 lm
	4000K	675 lm	1355 lm	1911 lm	1513 lm	2830 lm	2460 lm	4768 lm
	5700K	719 lm	1443 lm	2035 lm	1612 lm	3014 lm	2620 lm	5078 lm
Efficacy	3000K	70 lm/W	70 lm/W	66 lm/W	79 lm/W	74 lm/W	77 lm/W	75 lm/W
	4000K	75 lm/W	75 lm/W	71 lm/W	84 lm/W	79 lm/W	82 lm/W	79 lm/W
	5700K	80 lm/W	80 lm/W	75 lm/W	90 lm/W	84 lm/W	87 lm/W	85 lm/W
CCT		3000K, 4000K, 5700K						
CRI		80						
SDCM	3000K, 4000K	3						
Beam Angle		15°, 24°, 40°						

### Electrical and Mechanical Specifications

Input Voltage	220-240V AC 50/60Hz							
Power Consumption	9W	18W	27W	18W	36W	30W	60W	
Power Factor	0.95							
Surge Protection	Line-to-line 0.5KV					Line-to-line 1KV		
Dimensions	Length	113mm	216mm	300mm	141mm	273mm	171mm	323mm
	Width	113mm	113mm	113mm	141mm	141mm	171mm	171mm
	Height	82mm	82mm	82mm	98mm	98mm	122mm	122mm
Weight	0.4kg	0.76kg	1.08kg	0.6kg	1.12kg	0.89kg	1.7kg	
Cover Lens	PC reflector and aluminium plating							
Housing	Die-casting aluminium housing, black							

### System Specifications

Power	AC line							
Dimmable	ON/OFF only							
Installation	Recessed mounting							
Mounting Hole	Length	104mm	200mm	285mm	131mm	260mm	163mm	310mm
	Width	104mm	104mm	104mm	131mm	131mm	163mm	163mm
Suitable Ceiling Thickness	2-20mm							
Operating Temperature	-20°C to +40°C							
Storage Temperature	-30°C to +80°C							
Environment	Indoor (IP20)							
Lumen Maintenance	L70 @25°C - 25,000hrs							
Safety Approval	Electrical Protection Class II, CB, CCC, RoHS							

Due to the special conditions of manufacturing process of LED, the typical data of technical parameters can only reflect statistical figures and do not necessarily correspond to the actual parameters of each single product which could differ from typical data.

Exceeding maximum ratings for operation voltage will cause hazardous overload and will likely destroy the LED module.

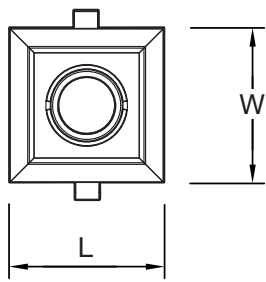
Exceeding maximum ratings for operation and storage temperature will reduce expected life time or destroy the LED module.

12/16 V1.0 · Specifications are subject to change without notice. Errors and omission excepted, always make sure to use the most recent release.

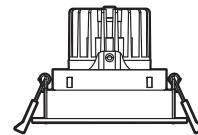
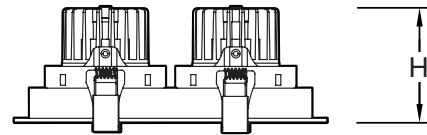
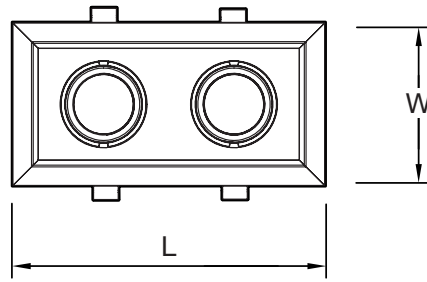
# LEDCOMFO® Multi-head

## Dimensions

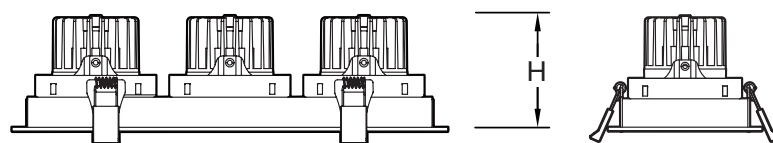
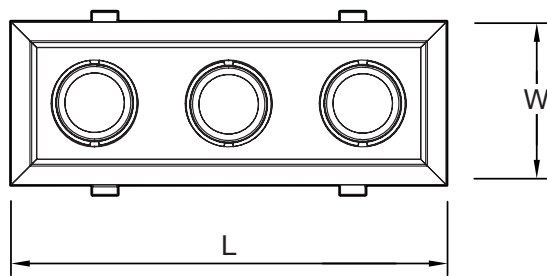
9W × 1



9W × 2



9W × 3



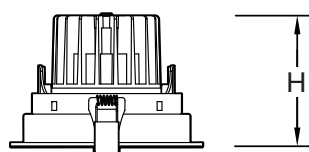
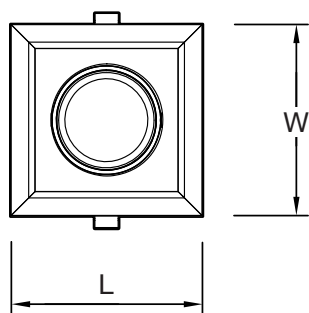
### Dimensions

	9W × 1	9W × 2	9W × 3
L	113mm	216mm	300mm
W	113mm	113mm	113mm
H	82mm	82mm	82mm

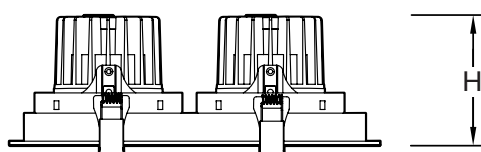
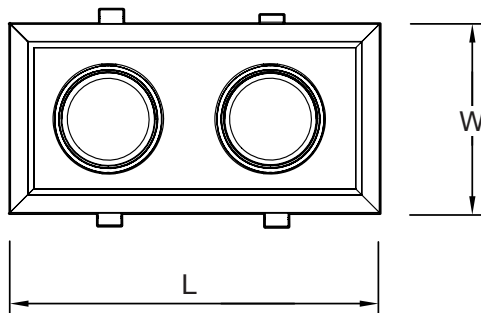
# LED COMFO® Multi-head

## Dimensions

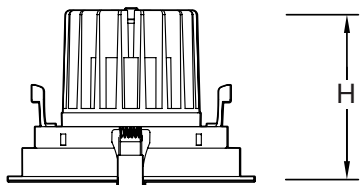
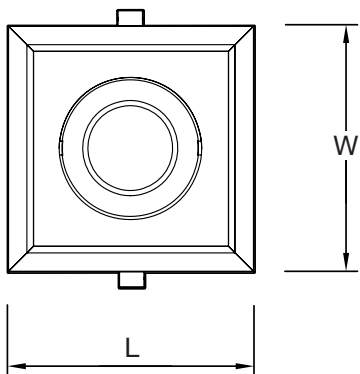
18W × 1



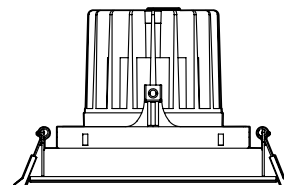
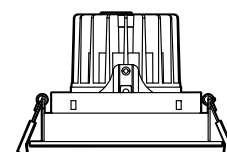
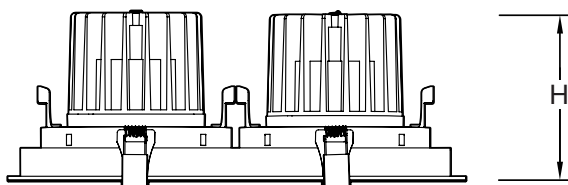
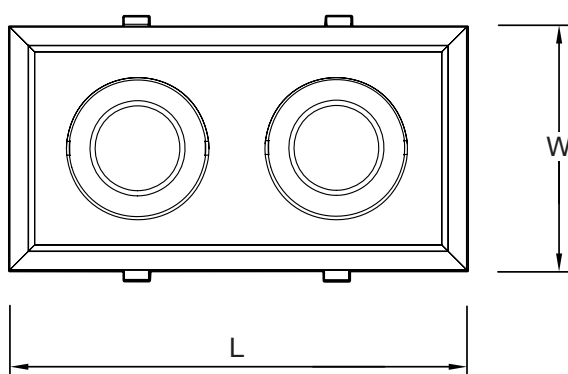
18W × 2



30W × 1



30W × 2

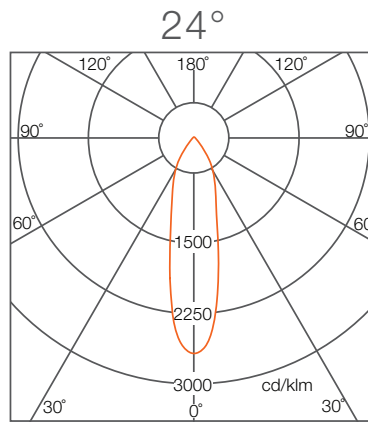
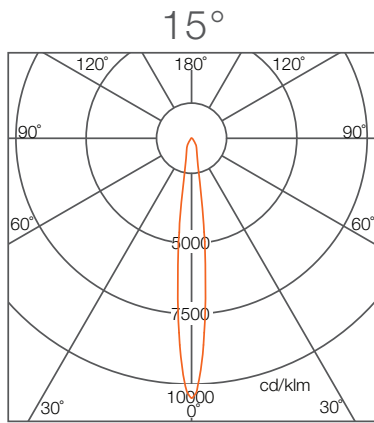


### Dimensions

	18W × 1	18W × 2	30W × 1	30W × 2
<b>L</b>	141mm	273mm	171mm	323mm
<b>W</b>	141mm	141mm	171mm	171mm
<b>H</b>	98mm	98mm	122mm	122mm

# LED COMFO® Multi-head

## Photometrics Light Distribution Curve



### Illuminance at a distance

	Center Beam Lux/klm	Beam Width
0.5m	41473	0.11m
1m	10368	0.21m
1.5m	4608	0.32m
2m	2592	0.42m
2.5m	1659	0.53m
3m	1152	0.63m

For feet multiply by 3.28

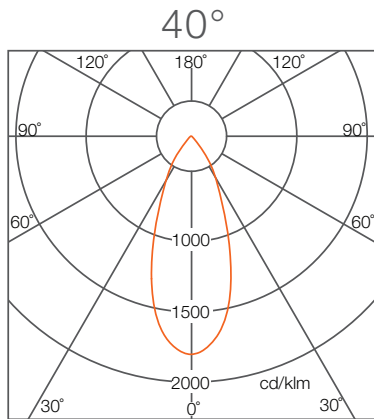
● Spread: 12°  
For fc divide by 10.7

	Center Beam Lux/klm	Beam Width
0.5m	10524	0.23m
1m	2631	0.45m
1.5m	1169	0.68m
2m	658	0.91m
2.5m	421	1.14m
3m	292	1.36m

For feet multiply by 3.28

● Spread: 25.6°  
For fc divide by 10.7

### Light Distribution Curve



### Illuminance at a distance

	Center Beam Lux/klm	Beam Width
0.5m	7234	0.36m
1m	1809	0.73m
1.5m	804	1.09m
2m	452	1.46m
2.5m	289	1.82m
3m	201	2.18m

For feet multiply by 3.28

● Spread: 40°  
For fc divide by 10.7

Due to the manufacturing processes of LED, the polar candela distribution and distance luminaries only reflect statistical figures and do not necessarily correspond to the actual parameters of individual product that may differ from the typical values.

12/16 V1.0 · Specifications are subject to change without notice. Errors and omission excepted, always make sure to use the most recent release.

# LEDCOMFO® Multi-head

## Ordering Codes

### Fixture (9W × 1, 9W × 2, 9W × 3)

Short Text	Type	CCT	Beam Angle	Material	EAN10	EAN40
LEDCOMFO Multi-head 1*9W 830 15D 24X1 OSRAM	9W×1	3000K	15°	AM039320055	4052899483057	4052899483064
LEDCOMFO Multi-head 1*9W 840 15D 24X1 OSRAM	9W×1	4000K	15°	AM039330055	4052899483071	4052899483088
LEDCOMFO Multi-head 1*9W 857 15D 24X1 OSRAM	9W×1	5700K	15°	AM039340055	4052899483095	4052899483101
LEDCOMFO Multi-head 1*9W 830 24D 24X1 OSRAM	9W×1	3000K	24°	AM039350055	4052899483118	4052899483125
LEDCOMFO Multi-head 1*9W 840 24D 24X1 OSRAM	9W×1	4000K	24°	AM039360055	4052899483132	4052899483149
LEDCOMFO Multi-head 1*9W 857 24D 24X1 OSRAM	9W×1	5700K	24°	AM039370055	4052899483156	4052899483163
LEDCOMFO Multi-head 1*9W 830 40D 24X1 OSRAM	9W×1	3000K	40°	AM039380055	4052899483170	4052899483187
LEDCOMFO Multi-head 1*9W 840 40D 24X1 OSRAM	9W×1	4000K	40°	AM039390055	4052899483194	4052899483200
LEDCOMFO Multi-head 1*9W 857 40D 24X1 OSRAM	9W×1	5700K	40°	AM039400055	4052899483217	4052899483224
LEDCOMFO Multi-head 2*9W 830 15D 12X1 OSRAM	9W×2	3000K	15°	AM039410055	4052899483231	4052899483248
LEDCOMFO Multi-head 2*9W 840 15D 12X1 OSRAM	9W×2	4000K	15°	AM039420055	4052899483255	4052899483262
LEDCOMFO Multi-head 2*9W 857 15D 12X1 OSRAM	9W×2	5700K	15°	AM039430055	4052899483279	4052899483286
LEDCOMFO Multi-head 2*9W 830 24D 12X1 OSRAM	9W×2	3000K	24°	AM039440055	4052899483293	4052899483309
LEDCOMFO Multi-head 2*9W 840 24D 12X1 OSRAM	9W×2	4000K	24°	AM039450055	4052899483316	4052899483323
LEDCOMFO Multi-head 2*9W 857 24D 12X1 OSRAM	9W×2	5700K	24°	AM039460055	4052899483330	4052899483347
LEDCOMFO Multi-head 2*9W 830 40D 12X1 OSRAM	9W×2	3000K	40°	AM039470055	4052899483354	4052899483361
LEDCOMFO Multi-head 2*9W 840 40D 12X1 OSRAM	9W×2	4000K	40°	AM039480055	4052899483378	4052899483385
LEDCOMFO Multi-head 2*9W 857 40D 12X1 OSRAM	9W×2	5700K	40°	AM039490055	4052899483392	4052899483408
LEDCOMFO Multi-head 3*9W 830 15D 6X1 OSRAM	9W×3	3000K	15°	AM039500055	4052899483415	4052899483422
LEDCOMFO Multi-head 3*9W 840 15D 6X1 OSRAM	9W×3	4000K	15°	AM039510055	4052899483439	4052899483446
LEDCOMFO Multi-head 3*9W 857 15D 6X1 OSRAM	9W×3	5700K	15°	AM039520055	4052899483453	4052899483460
LEDCOMFO Multi-head 3*9W 830 24D 6X1 OSRAM	9W×3	3000K	24°	AM039530055	4052899483477	4052899483484
LEDCOMFO Multi-head 3*9W 840 24D 6X1 OSRAM	9W×3	4000K	24°	AM039540055	4052899483491	4052899483507
LEDCOMFO Multi-head 3*9W 857 24D 6X1 OSRAM	9W×3	5700K	24°	AM039550055	4052899483514	4052899483521
LEDCOMFO Multi-head 3*9W 830 40D 6X1 OSRAM	9W×3	3000K	40°	AM039560055	4052899483538	4052899483545
LEDCOMFO Multi-head 3*9W 840 40D 6X1 OSRAM	9W×3	4000K	40°	AM039570055	4052899483842	4052899483859
LEDCOMFO Multi-head 3*9W 857 40D 6X1 OSRAM	9W×3	5700K	40°	AM039580055	4052899483866	4052899483873

# LED COMFO® Multi-head

## Ordering Codes

### Fixture (18W × 1, 18W × 2)

Short Text	Type	CCT	Beam Angle	Material	EAN10	EAN40
LED COMFO Multi-head 1*18W 830 15D 18X1 OSRAM	18W×1	3000K	15°	AM039590055	4052899483897	4052899483903
LED COMFO Multi-head 1*18W 840 15D 18X1 OSRAM	18W×1	4000K	15°	AM039600055	4052899483910	4052899483927
LED COMFO Multi-head 1*18W 857 15D 18X1 OSRAM	18W×1	5700K	15°	AM039610055	4052899483934	4052899483941
LED COMFO Multi-head 1*18W 830 24D 18X1 OSRAM	18W×1	3000K	24°	AM039620055	4052899483958	4052899483965
LED COMFO Multi-head 1*18W 840 24D 18X1 OSRAM	18W×1	4000K	24°	AM039630055	4052899483972	4052899483989
LED COMFO Multi-head 1*18W 857 24D 18X1 OSRAM	18W×1	5700K	24°	AM039640055	4052899483996	4052899484009
LED COMFO Multi-head 1*18W 830 40D 18X1 OSRAM	18W×1	3000K	40°	AM039650055	4052899484016	4052899484023
LED COMFO Multi-head 1*18W 840 40D 18X1 OSRAM	18W×1	4000K	40°	AM039660055	4052899484030	4052899484047
LED COMFO Multi-head 1*18W 857 40D 18X1 OSRAM	18W×1	5700K	40°	AM039670055	4052899484054	4052899484061
LED COMFO Multi-head 2*18W 830 15D 6X1 OSRAM	18W×2	3000K	15°	AM039680055	4052899484078	4052899484085
LED COMFO Multi-head 2*18W 840 15D 6X1 OSRAM	18W×2	4000K	15°	AM039690055	4052899484092	4052899484108
LED COMFO Multi-head 2*18W 857 15D 6X1 OSRAM	18W×2	5700K	15°	AM039700055	4052899484115	4052899484122
LED COMFO Multi-head 2*18W 830 24D 6X1 OSRAM	18W×2	3000K	24°	AM039710055	4052899484139	4052899484146
LED COMFO Multi-head 2*18W 840 24D 6X1 OSRAM	18W×2	4000K	24°	AM039720055	4052899484153	4052899484160
LED COMFO Multi-head 2*18W 857 24D 6X1 OSRAM	18W×2	5700K	24°	AM039730055	4052899484177	4052899484184
LED COMFO Multi-head 2*18W 830 40D 6X1 OSRAM	18W×2	3000K	40°	AM039740055	4052899484191	4052899484207
LED COMFO Multi-head 2*18W 840 40D 6X1 OSRAM	18W×2	4000K	40°	AM039750055	4052899484214	4052899484221
LED COMFO Multi-head 2*18W 857 40D 6X1 OSRAM	18W×2	5700K	40°	AM039760055	4052899484238	4052899484245

### Fixture (30W × 1, 30W × 2)

Short Text	Type	CCT	Beam Angle	Material	EAN10	EAN40
LED COMFO Multi-head 1*30W 830 15D 12X1 OSRAM	30W×1	3000K	15°	AM039770055	4052899484252	4052899484269
LED COMFO Multi-head 1*30W 840 15D 12X1 OSRAM	30W×1	4000K	15°	AM039780055	4052899484276	4052899484283
LED COMFO Multi-head 1*30W 857 15D 12X1 OSRAM	30W×1	5700K	15°	AM039790055	4052899484290	4052899484306
LED COMFO Multi-head 1*30W 830 24D 12X1 OSRAM	30W×1	3000K	24°	AM039800055	4052899484313	4052899484320
LED COMFO Multi-head 1*30W 840 24D 12X1 OSRAM	30W×1	4000K	24°	AM039810055	4052899484337	4052899484344
LED COMFO Multi-head 1*30W 857 24D 12X1 OSRAM	30W×1	5700K	24°	AM039820055	4052899482500	4052899482517
LED COMFO Multi-head 1*30W 830 40D 12X1 OSRAM	30W×1	3000K	40°	AM039830055	4052899482548	4052899482555
LED COMFO Multi-head 1*30W 840 40D 12X1 OSRAM	30W×1	4000K	40°	AM039840055	4052899482562	4052899482579
LED COMFO Multi-head 1*30W 857 40D 12X1 OSRAM	30W×1	5700K	40°	AM039850055	4052899482586	4052899482593
LED COMFO Multi-head 2*30W 830 15D 6X1 OSRAM	30W×2	3000K	15°	AM039860055	4052899482609	4052899482616
LED COMFO Multi-head 2*30W 840 15D 6X1 OSRAM	30W×2	4000K	15°	AM039870055	4052899482623	4052899482630
LED COMFO Multi-head 2*30W 857 15D 6X1 OSRAM	30W×2	5700K	15°	AM039880055	4052899482647	4052899482654
LED COMFO Multi-head 2*30W 830 24D 6X1 OSRAM	30W×2	3000K	24°	AM039890055	4052899482661	4052899482678
LED COMFO Multi-head 2*30W 840 24D 6X1 OSRAM	30W×2	4000K	24°	AM039900055	4052899482685	4052899482692
LED COMFO Multi-head 2*30W 857 24D 6X1 OSRAM	30W×2	5700K	24°	AM039910055	4052899482708	4052899482715
LED COMFO Multi-head 2*30W 830 40D 6X1 OSRAM	30W×2	3000K	40°	AM039920055	4052899482722	4052899482739
LED COMFO Multi-head 2*30W 840 40D 6X1 OSRAM	30W×2	4000K	40°	AM039930055	4052899482746	4052899482753
LED COMFO Multi-head 2*30W 857 40D 6X1 OSRAM	30W×2	5700K	40°	AM039940055	4052899482760	4052899482777