

LEDCOMFO® Floodlight V3

Datasheet



LEDCOMFO® Flood V3 is a cost effective and reliable flood lighting. 30W and 45W versions with frosted glass cover, wide lighting beam angle and soft lighting surface. 95W, 160W, and 190W versions with Symmetric and Asymmetric lighting distributions thanks to the well-designed lens, good glare control with high uniformity for outdoor area lighting and billboard illumination. Robust die-casting aluminum housing, steel bracket, IP66, IK07 for the harsh outdoor environment lighting applications.

Benefits

Robust and reliable

- Die casting aluminum housing
- High impact resistance with tempered glass, IK07
- High protection level for outdoor use, IP66
- Patented Anti-siphon mechanism waterproof design ensure the IP protection
- 30000 hours lifetime

Precise and efficient

- Well designed lens with symmetrical and asymmetrical lighting distributions for various applications
- Adjustable bracket with angle indicator for precise lighting direction adjustment
- Top brand LED ensure the consistent color temperature
- Up to 105 lm/W system efficacy and CRI>80

Full options for different applications

- Power range: 30W/45W/95W/160W/190W
- 2 color temperatures options: 4000K and 5700K (3000K available on request)
- Symmetrical and asymmetrical optics

Applications

- Outdoor area flood lighting
- Outdoor billboards lighting
- Logo illuminations
- Other public or industrial areas

LED COMFO® Floodlight V3

Technical Data

Optical Specifications

		30W	45W	95W	160W	190W
Luminous Flux	3000K	2700 lm	4500 lm	9500 lm	16000 lm	19000 lm
	4000K	2850 lm	4725 lm	9975 lm	16800 lm	19950 lm
	5700K	2850 lm	4725 lm	9975 lm	16800 lm	19950 lm
Efficacy	3000K	90 lm/W	100 lm/W	100 lm/W	100 lm/W	100 lm/W
	4000K	95 lm/W	105 lm/W	105 lm/W	105 lm/W	105 lm/W
	5700K	95 lm/W	105 lm/W	105 lm/W	105 lm/W	105 lm/W
CCT		4000K, 5700K , (3000K available on request)				
CRI		>80				
SDCM		<5				
Beam Angle		100°	100°	60° & 110°x40°	60° & 110°x40°	60° & 110°x40°

Electrical and Mechanical Specifications

Input Voltage	220-240V AC 50/60Hz					
Power Consumption		30W	45W	95W	160W	190W
Power Factor		>0.95				
Surge Protection		Line-to-line 2KV, line-to-ground 4KV				
Dimensions	Length	154mm	192mm	284mm	394mm	394mm
	Width	125 mm	189mm	261mm	336mm	336mm
	Height	39mm	41mm	44mm	46mm	46mm
Weight		525g	758g	1887g	3679g	3724g
Cover Lens		Tempered glass				
THD		<20%				
Housing		Die-casting aluminum with RAL9006 powder painting				
Pre-wired cable		0.5 meter				

System Specifications

Power	220-240V AC
Dimmable	ON/OFF
Mounting Type	Bracket mounting
Installation angle adjustment	-70° to +90°
Operating Temperature	-20°C to +40°C
Storage Temperature	-40°C to +80°C
Environment	Outdoor (IP66, IK07)
Lumen Maintenance	L70 @25°C - 30,000hrs
Safety Approval	Electrical Protection Class I, CB, CQC, Photobiological safety, RoHS

Due to the special conditions of manufacturing process of LED, the typical data of technical parameters can only reflect statistical figures and do not necessarily correspond to the actual parameters of each single product which could differ from typical data.

Exceeding maximum ratings for operation voltage will cause hazardous overload and will likely destroy the LED module.

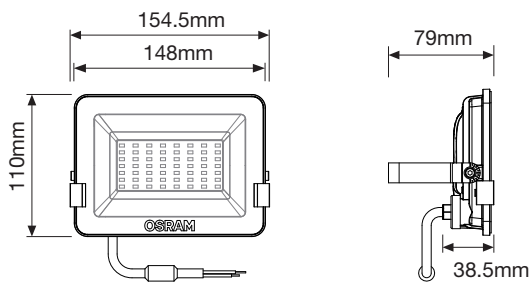
Exceeding maximum ratings for operation and storage temperature will reduce expected life time or destroy the LED module.

07/19 V1.0 · Specifications are subject to change without notice. Errors and omission excepted, always make sure to use the most recent release.

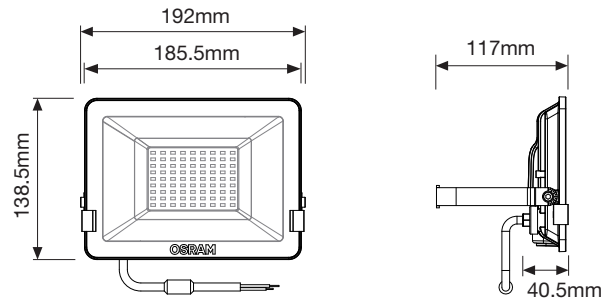
LED COMFO® Floodlight V3

Dimensions

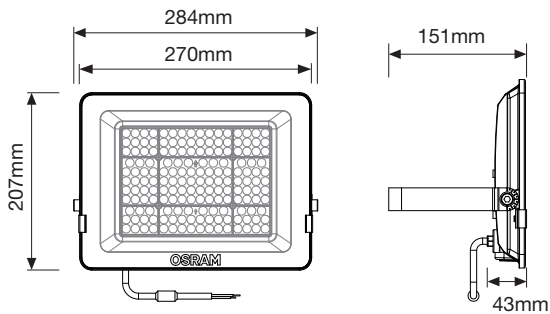
30W



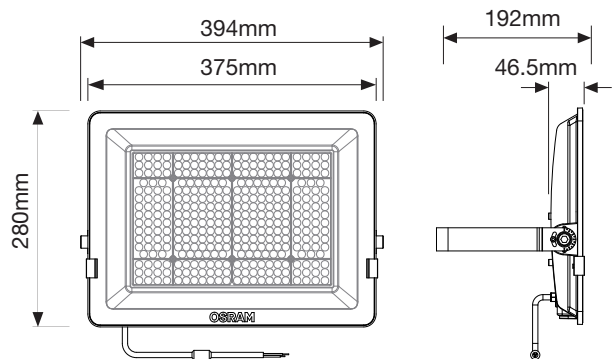
45W



95W



160W/190W



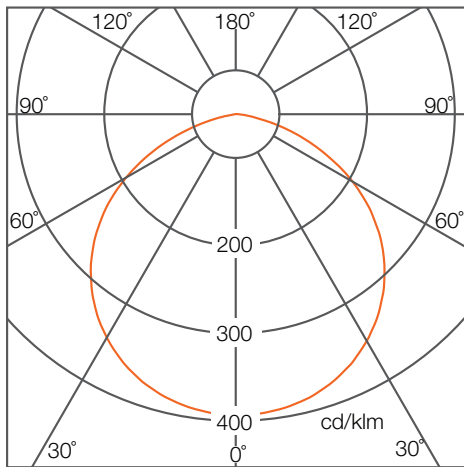
Dimensions

	30W	45W	95W	160W	190W
L	154mm	192mm	284mm	394mm	394mm
W	125 mm	189mm	261mm	336mm	336mm
H	39mm	41mm	44mm	46mm	46mm

LED COMFO® Floodlight V3

Photometrics

30W/45W



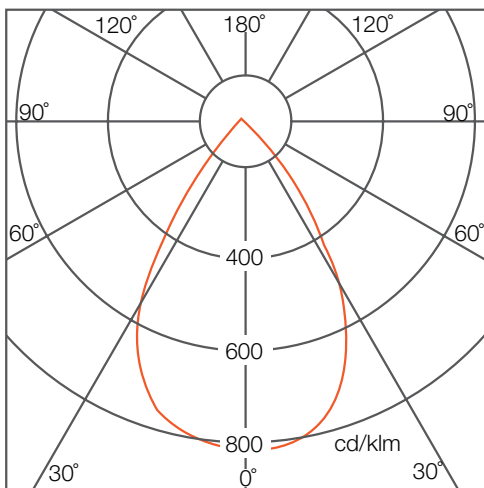
Illuminance at a distance

	Center Beam Lux/klm	Beam Width
0.5m	1598	1.22m
1m	400	2.44m
1.5m	178	3.67m
2m	100	4.89m
2.5m	64	6.11m
3m	44	7.33m

For feet multiply by 3.28

● Horiz. Spread: 101.4°
For fc divide by 10.7

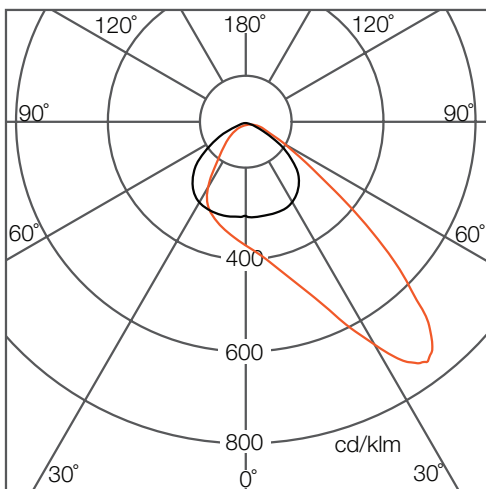
95W/160W/190W



	Center Beam Lux/klm	Beam Width
1.5m	359	1.85m
3.0m	90	3.71m
4.5m	40	5.56m
6.0m	22	7.41m
7.5m	14	9.26m
9.0m	10	11.12m

For feet multiply by 3.28

● Horiz. Spread: 63.4°
For fc divide by 10.7



Due to the manufacturing processes of LED, the polar candela distribution and distance luminaries only reflect statistical figures and do not necessarily correspond to the actual parameters of individual product that may differ from the typical values.

07/19 V1.0 · Specifications are subject to change without notice. Errors and omission excepted, always make sure to use the most recent release.

©2019 OSRAM GmbH · All rights reserved · Internet www.osram.asia/ls

4 of 5

LED COMFO® Flood V3

Ordering Codes

Fixtures

Short Text	Power	CCT	Beam Angle	Material	EAN10	EAN40
LED COMFO FL V3 30W 840 SY 12X1 OSRAM	30W	4000K	100°	AM291400055	4062172058018	4062172058025
LED COMFO FL V3 30W 857 SY 12X1 OSRAM	30W	5700K	100°	AM291410055	4062172058032	4062172058049
LED COMFO FL V3 45W 840 SY 5X1 OSRAM	45W	4000K	100°	AM291420055	4062172058056	4062172058063
LED COMFO FL V3 45W 857 SY 5X1 OSRAM	45W	5700K	100°	AM291430055	4062172058070	4062172058087
LED COMFO FL V3 95W 840 SY 5X1 OSRAM	95W	4000K	60°	AM291440055	4062172058094	4062172058100
LED COMFO FL V3 95W 857 SY 5X1 OSRAM	95W	5700K	60°	AM291450055	4062172058117	4062172058124
LED COMFO FL V3 160W 840 SY 3X1 OSRAM	160W	4000K	60°	AM291460055	4062172058131	4062172058148
LED COMFO FL V3 160W 857 SY 3X1 OSRAM	160W	5700K	60°	AM291470055	4062172058155	4062172058162
LED COMFO FL V3 190W 840 SY 3X1 OSRAM	190W	4000K	60°	AM291480055	4062172058179	4062172058186
LED COMFO FL V3 190W 857 SY 3X1 OSRAM	190W	5700K	60°	AM291490055	4062172058193	4062172058209
LED COMFO FL V3 95W 840 AS 3X1 OSRAM	95W	4000K	110° x 40°	AM291500055	4062172058216	4062172058223
LED COMFO FL V3 95W 857 AS 3X1 OSRAM	95W	5700K	110° x 40°	AM291510055	4062172058230	4062172058247
LED COMFO FL V3 160W 840 AS 3X1 OSRAM	160W	4000K	110° x 40°	AM291520055	4062172058254	4062172058261
LED COMFO FL V3 160W 857 AS 3X1 OSRAM	160W	5700K	110° x 40°	AM291530055	4062172058278	4062172058285
LED COMFO FL V3 190W 840 AS 3X1 OSRAM	190W	4000K	110° x 40°	AM291540055	4062172058292	4062172058308
LED COMFO FL V3 190W 857 AS 3X1 OSRAM	190W	5700K	110° x 40°	AM291550055	4062172058315	4062172058322