

## LED COMFO® Highbay V3

### Datasheet



LED COMFO® Highbay V3 series is highly efficient and reliable LED highbay luminaires that can be used in dusty and humid environment. The well-designed die-casting aluminum heat sink with high-efficiency lens achieve a perfect balance between convenience and practicality. LED COMFO® Highbay V3 series can replace the traditional HID highbay directly and provide the best solution for high ceiling industrial lighting and commercial lighting.

#### Benefits

- One-to-one replacement of traditional HID highbay
- 50% energy saving
- Maintain desired illumination throughout lifecycle
- Easy transportation and installation. Low maintenance cost

#### Safe and reliable

- Compact and light weight
- IP65, IK08
- 50,000hrs lifetime

#### Visual comfort

- CRI > 80
- Optional reflector for better glare control

#### Applications

- Workshops, assembly lines
- Warehouses, logistics
- Public areas (airports, stations, stadiums)

## LED COMFO® Highbay V3

### Technical Data

		55W	120W	90W	150W	160W	200W
<b>Luminous Flux</b>	3000K	6,875 lm	15,000 lm	11,250 lm	18,750 lm	20,000 lm	25,000 lm
	4000K	6,930 lm	15,120 lm	11,340 lm	18,900 lm	20,160 lm	25,200 lm
	5700K	7,040 lm	15,360 lm	11,520 lm	19,200 lm	20,480 lm	25,600 lm
<b>Efficacy</b>	3000K	125 lm/W					
	4000K	126 lm/W					
	5700K	128 lm/W					
<b>CCT</b>		3000K, 4000K, 5700K					
<b>CRI</b>		>80					
<b>SDCM</b>		5					
<b>Beam Angle</b>		90°					

### Electrical and Mechanical Specifications

<b>Input Voltage</b>	220-240VAC 50/60Hz						
<b>Power Consumption</b>	55W	90W & 120W		150W & 160W		200W	
<b>Power Factor</b>	0.9						
<b>Total Harmonic Distortion</b>	<20%						
<b>Surge Protection</b>	L/N-G 2KV						
<b>Dimensions (height)</b>	168mm	164mm		164mm		180mm	
	(diameter)	300mm	300mm		350mm		360mm
<b>Weight</b>	2.3kg	2.3kg		2.3kg		3.3kg	
<b>Cover Lens</b>	PC Lens						
<b>Housing</b>	Die-casting aluminum housing						

### System Specifications

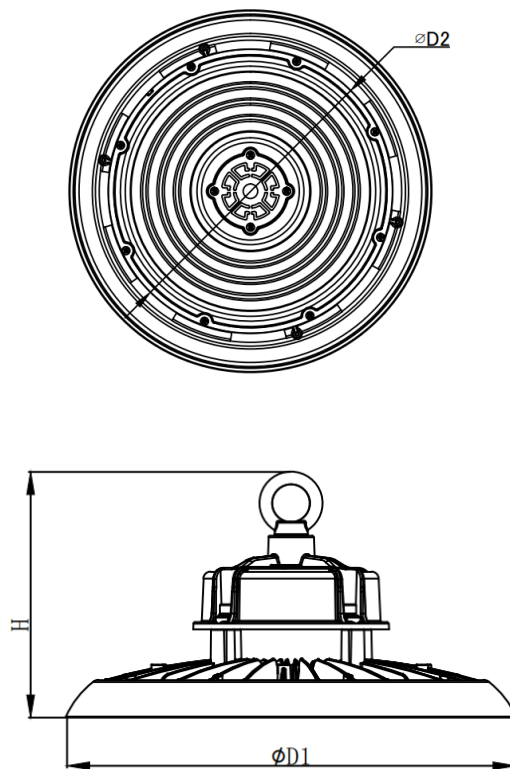
<b>Power</b>	AC line
<b>Dimming</b>	1-10V
<b>Installation</b>	Chain/Surface mounting
<b>Working temperature</b>	-20°C to +50°C
<b>Storage Temperature</b>	-25°C to +70°C
<b>Environment</b>	Indoor (IP65, IK08)
<b>Lumen Maintenance</b>	L70@35°C - 50,000 hrs
<b>Safety Approval</b>	Electrical Protection Class I, CB, CCC

Due to the special conditions of manufacturing process of LED, the typical data of technical parameters can only reflect statistical figures and do not necessarily correspond to the actual parameters of each single product which could differ from typical data.

Exceeding maximum ratings for operation voltage will cause hazardous overload and will likely destroy the LED module.

Exceeding maximum ratings for operation and storage temperature will reduce expected life time or destroy the LED module.

LED COMFO® Highbay V3  
 Dimensions



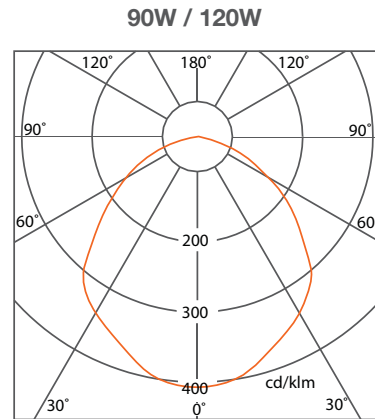
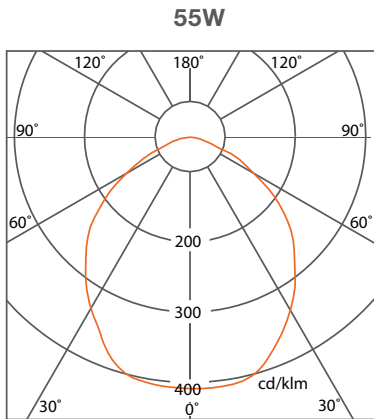
Dimensions

	55W	120W	90W	150W	160W	200W
H	168mm	164mm	164mm	164mm	164mm	180mm
Ø D1	300mm	300mm	300mm	300mm	300mm	360mm
Ø D2	235mm	235mm	235mm	235mm	235mm	290mm

# LED COMFO® Highbay V3

## Photometrics

### Light Distribution Curve



### Illuminance at a distance

	Center Beam Lux/klm	Beam Width H
0.5m	1660	1.01m
1.0m	415	2.03m
1.5m	184	3.04m
2.0m	103	4.06m
2.5m	66	5.07m
3.0m	46	6.09m

For feet multiply by 3.28

■ Horiz. Spread: 90.8°  
For fc divide by 10.7

	Center Beam Lux/klm	Beam Width H
0.5m	1645	1.02m
1.0m	411	2.04m
1.5m	182	3.06m
2.0m	102	4.08m
2.5m	66	5.10m
3.0m	46	6.12m

For feet multiply by 3.28

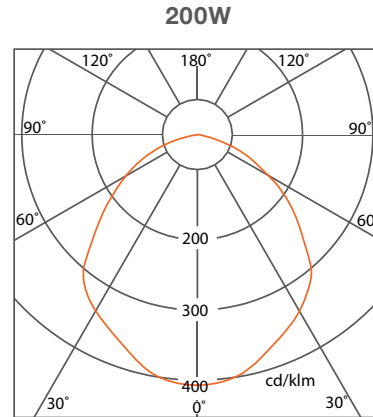
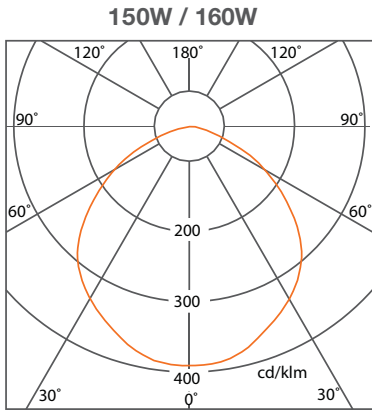
■ Horiz. Spread: 91.1°  
For fc divide by 10.7

Due to the manufacturing processes of LED, the polar candela distribution and distance luminaries only reflect statistical figures and do not necessarily correspond to the actual parameters of individual product that may differ from the typical values.

# LED COMFO® Highbay V3

## Photometrics

### Light Distribution Curve



### Illuminance at a distance

	Center Beam Lux/klm	Beam Width H
0.5m	1794	0.98m
1.0m	448	1.96m
1.5m	199	2.94m
2.0m	112	3.92m
2.5m	72	4.90m
3.0m	50	5.88m

For feet multiply by 3.28

■ Horiz. Spread: 89.8°  
For fc divide by 10.7

	Center Beam Lux/klm	Beam Width H
0.5m	1645	1.00m
1.0m	411	2.00m
1.5m	182	2.99m
2.0m	102	3.99m
2.5m	66	4.99m
3.0m	46	5.99m

For feet multiply by 3.28

■ Horiz. Spread: 89.9°  
For fc divide by 10.7

Due to the manufacturing processes of LED, the polar candela distribution and distance luminaries only reflect statistical figures and do not necessarily correspond to the actual parameters of individual product that may differ from the typical values.