



Product Highlights:

- High quality diffuser with inside lens ensure high uniformity
- 50mm height SPCC housing to present texture
- Built-in driver with 150mm pre-wire
- 2ft x 2ft / 4ft x 1ft

Light is uniformity

LEDCOMFO® Louver V2

The latest LED back-lit louver solution for indoor application.

Light is OSRAM

LEDCOMFO® Louver V2



LEDCOMFO® Louver V2 is the latest LED back-lit louver solution for office application. The newly product design provides high uniformity based on 2ft x 2ft, 4ft x 1ft size, which available for four kinds of installation including recessed, suspended, PCV, integrated ceiling, fulfilling the different requirements of customers.

Advantages & Benefits

Comfortable with high uniformity

- High quality diffuser with inside lens ensure high uniformity
- Without flicker
- SDCM less than 5

Stable performance with safety and reliability

- 50mm height SPCC housing to present texture
- 1KV line to line surge protection
- PF 0.9
- Built-in driver with 150mm pre-wire

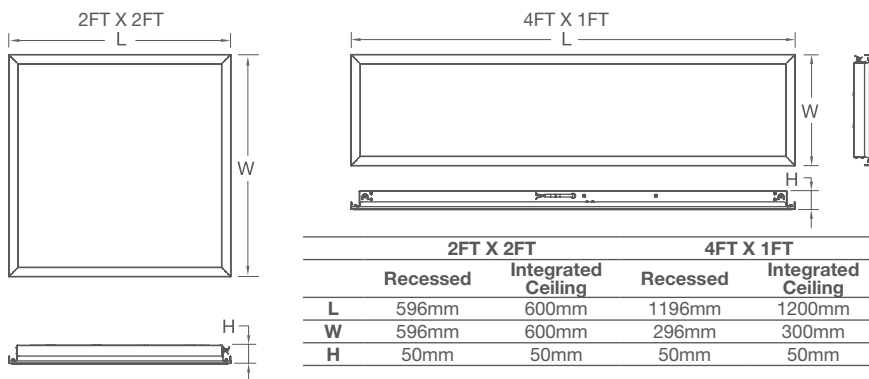
Full range to fulfill all applications

- 2ft x 2ft/4ft x 1ft
- Recessed/suspended/PCV/integrated ceiling
- 3000K*/4000K/5700K*/6500K

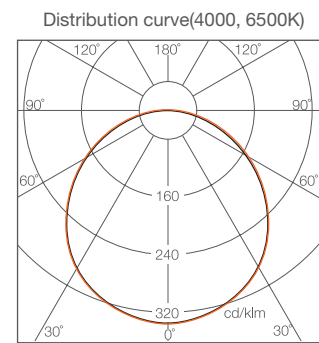
Applications

- Office
- Public building
- Metro
- Bank
- Hospital

Dimensions



Photometrics



Product Reference

Ordering Code (EAN40)



LCM LV 33W 840 0606 V2 VS2 OSRAM	4062172028028	Neutral white	220-240	33	50/60	110	4000	2600	596	596	50	2
LCM LV 33W 865 0606 V2 VS2 OSRAM	4062172028035	Cold white	220-240	33	50/60	110	6500	2600	596	596	50	2
LCM LV 33W 840 0312 V2 VS2 OSRAM	4062172028042	Neutral white	220-240	33	50/60	110	4000	2600	1196	296	50	2
LCM LV 33W 865 0312 V2 VS2 OSRAM	4062172028059	Cold white	220-240	33	50/60	110	6500	2600	1196	296	50	2
LCM LV 33W 840 0606 IT V2 VS2 OSRAM	4062172028066	Neutral white	220-240	33	50/60	110	4000	2600	600	600	50	2
LCM LV 33W 865 0606 IT V2 VS2 OSRAM	4062172028073	Cold white	220-240	33	50/60	110	6500	2600	600	600	50	2
LCM LV 33W 840 0312 IT V2 VS2 OSRAM	4062172028080	Neutral white	220-240	33	50/60	110	4000	2600	1200	300	50	2
LCM LV 33W 865 0312 IT V2 VS2 OSRAM	4062172028097	Cold white	220-240	33	50/60	110	6500	2600	1200	300	50	2

Accessory

LCM LV Recessed Kits V2 150X1 OSRAM	4062172028110
-------------------------------------	---------------

Technical data subject to variation and change without notice.

Traxon e:cue

Sales enquiry: Traxon.ecue.newsletter@osram.com
www.traxontechnologies.com / www.osram.com/ecue / www.osram.asia/ls

