

## PURSOS® SHP V3 Flood Light-Premium Datasheet



PURSOS® SHP V3 Flood Light Premium Edition is an innovative stadium lighting solution supporting the latest TV broadcasting standards. A well-designed forged pure aluminum heatsink offers a better heat dissipation efficiency but remaining a high light efficiency with up to 9 types of light distribution. The flexible electrical gear box design can be separately fixed in the appropriate position or be integrated into the bracket. It also provides DMX / RDM control interface and DALI and 0-10V dimming. It can achieve an intelligent lighting control with our e:cue control management system, such as the right illumination by scheduling and customized lighting shows. PURSOS® SHP V3 premium edition is the best choice for renovation/new stadiums and multi-purpose area lighting projects, it not only produces a good lighting effect, but also greatly reduce the investment and maintenance costs.

### Benefits

Supporting HDTV broadcasting standard

- Flicker free
- Choice of CRI 70, CRI 80, CRI 90
- Variety lighting distributions, flexible choice
- Additional visors for better glare control
- Compact size and light weight
- Special effects and light shows

High reliability

- Lumen maintenance L80-50000 hours @Ta30°C
- Robust aluminum body
- High protection level IP66 & IK08
- Independent surge protector
- Operating temperature: -40°C to +50°C

Intelligent control

- DMX-RDM interface, DALI and 0-10V Dimming
- Combined with E.cue to provide real-time, dynamic lighting control

### Applications

- Indoor arenas (basketball court, Ice hockey)
- Outdoor arenas (Stadium, Football pitch, Tennis, Golf course, Hockey field)
- Multi-Purpose area (MUGA)

# PURSOS® SHP V3 Flood Light-Premium

## Technical Data

### Optical Specifications

Size		2 Module		3 Modules	
Power		800W	1000W	1200W	1500W
Luminous Flux @5700K (+/-5%)	CRI 70	116000 lm	145000 lm	174000 lm	217500 lm
	CRI 80	100000 lm	125000 lm	150000 lm	187500 lm
	CRI 90	84000 lm	105000 lm	126000 lm	157500 lm
Efficacy @5700K	CRI 70	Up to 150 lm/W			
	CRI 80	Up to 135 lm/W			
	CRI 90	Up to 115 lm/W			
CCT		5700K, Other on request			
CRI		CRI 70, CRI 80, CRI90			
TLCI	CRI 90	>90, R9=70			
	CRI 80	>80, R9=20			
SDCM		5 SDCM			
Beam Angle		UNB, NB, MB, UWB, ASY			

### Electrical and Mechanical Specifications

Input Voltage		220-240V~ 50/60Hz			
Power Consumption (+/-10%)		800W	1000W	1200W	1500W
Power Factor		>0.95			
Total Harmonic Distortion		≤8%			
FF factor		≤1%			
Surge protection		Independent surge protection device, Line-to-line 10KV, line-to-ground 10KV			
Dimensions	Light Engine	475*562*303mm		488*800*312mm	
	Gear box	464*277*130mm		458*355*174mm	
Weight	Light Engine	16.5Kg		21.0Kg	
	Gear box	6Kg		11.5Kg	
Optical		PC, Polycarbonate			
Housing		Forged 1070 Aluminum			
Color		RAL 9005			

### System Specifications

Main input		AC power, 220-240V AC 50/60Hz			
Dimmable		DMX-RDM, DALI and 0-10V dimming			
Mounting Type		Bracket installation, suitable for installation on the ground, wall, high mast and other solid plane			
Operating Temperature		Outdoor: -40°C to +50°C			
Storage Temperature		-40°C to +80°C			
Environment		IP66 / IK08, suitable for outdoor and indoor applications			
Lumen Maintenance		L80-50000hours @30°C / L70-80000hours @30°C			
Warranty		5 Years (Standard)			
Safety Approval		Electrical Protection Class I, CQC, CB, ENEC, CE (for 5700K)			

Due to the special conditions of manufacturing process of LED, the typical data of technical parameters can only reflect statistical figures and do not necessarily correspond to the actual parameters of each single product which could differ from typical data.

Exceeding maximum ratings for operation voltage will cause hazardous overload and will likely destroy the LED module.

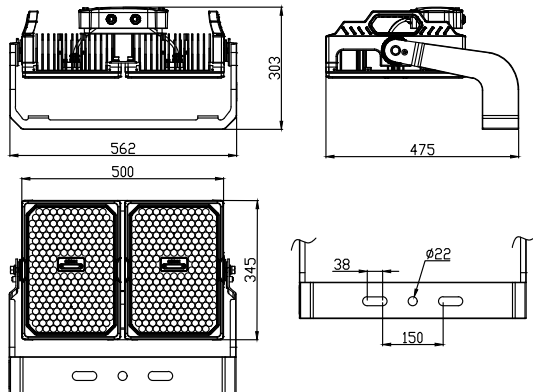
Exceeding maximum ratings for operation and storage temperature will reduce expected life time or destroy the LED module.

V1.0 09/21· Specifications are subject to change without notice. Errors and omission excepted, always make sure to use the most recent release.

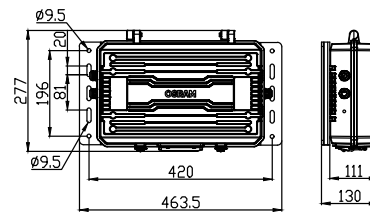
# PURSOS® SHP V3 Flood Light-Premium

Dimension (Unit: mm)

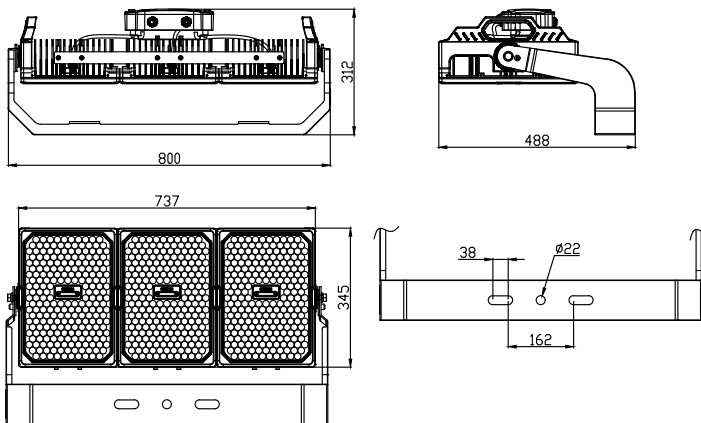
### 800W / 1000W Light engine



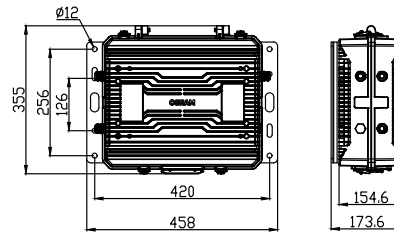
### 800W / 1000W Gear box



### 1200W / 1500W Light engine



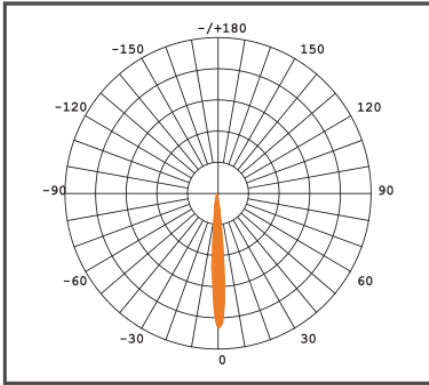
### 1200W / 1500W Gear box



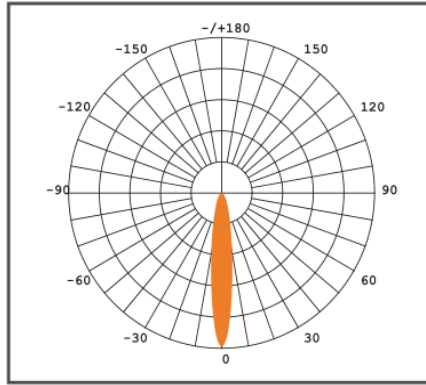
# PURSOS® SHP V3 Flood Light-Premium

## Photometrics

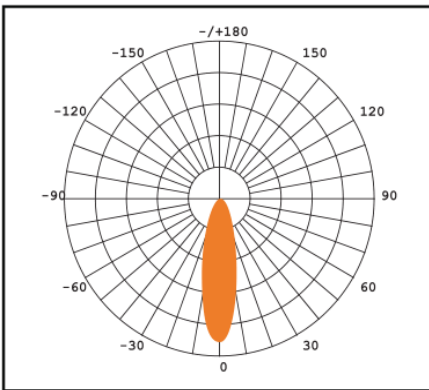
UNB (9°)



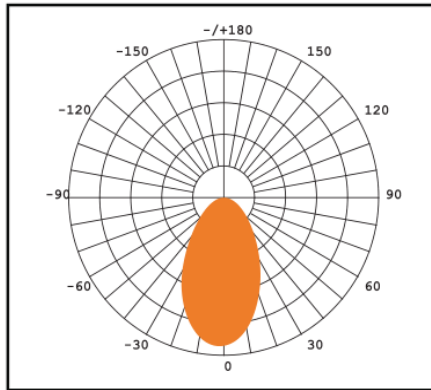
NB (15°)



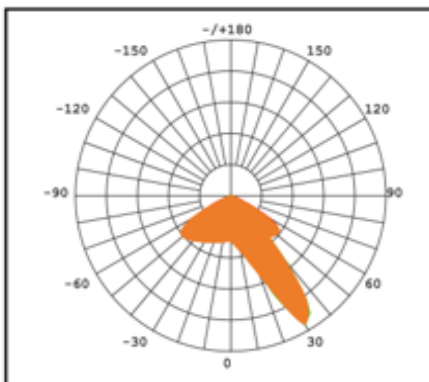
MB (30°)



UWB (60°)



ASY



Due to the manufacturing processes of LED, the polar candela distribution and distance luminaries only reflect statistical figures and do not necessarily correspond to the actual parameters of individual product that may differ from the typical values.

V1.0 09/21· Specifications are subject to change without notice. Errors and omission excepted, always make sure to use the most recent release.

# PURSOS® SHP V3 Flood Light-Premium

## Ordering Codes

### Led Light Engine

Short Text	Power	CCT	CRI	Material	EAN40
PSS SHP V3 P 800W 757 UNB VS1 OSRAM	800	5700	70	AM427850055	4062172240543
PSS SHP V3 P 800W 757 NB VS1 OSRAM	800	5700	70	AM427860055	4062172240550
PSS SHP V3 P 800W 757 MB VS1 OSRAM	800	5700	70	AM427870055	4062172240567
PSS SHP V3 P 800W 757 UWB VS1 OSRAM	800	5700	70	AM427880055	4062172240574
PSS SHP V3 P 800W 757 ASY VS1 OSRAM	800	5700	70	AM427890055	4062172240581
PSS SHP V3 P 800W 857 UNB VS1 OSRAM	800	5700	80	AM427900055	4062172240598
PSS SHP V3 P 800W 857 NB VS1 OSRAM	800	5700	80	AM427910055	4062172240604
PSS SHP V3 P 800W 857 MB VS1 OSRAM	800	5700	80	AM427920055	4062172240611
PSS SHP V3 P 800W 857 UWB VS1 OSRAM	800	5700	80	AM427930055	4062172240628
PSS SHP V3 P 800W 857 ASY VS1 OSRAM	800	5700	80	AM427940055	4062172240635
PSS SHP V3 P 800W 957 UNB VS1 OSRAM	800	5700	90	AM430740055	4062172244251
PSS SHP V3 P 800W 957 NB VS1 OSRAM	800	5700	90	AM430750055	4062172244268
PSS SHP V3 P 800W 957 MB VS1 OSRAM	800	5700	90	AM430760055	4062172244275
PSS SHP V3 P 800W 957 UWB VS1 OSRAM	800	5700	90	AM430770055	4062172244282
PSS SHP V3 P 800W 957 ASY VS1 OSRAM	800	5700	90	AM430780055	4062172244299
PSS SHP V3 P 1000W 757 UNB VS1 OSRAM	1000	5700	70	AM427950055	4062172240642
PSS SHP V3 P 1000W 757 NB VS1 OSRAM	1000	5700	70	AM427960055	4062172240659
PSS SHP V3 P 1000W 757 MB VS1 OSRAM	1000	5700	70	AM427970055	4062172240666
PSS SHP V3 P 1000W 757 UWB VS1 OSRAM	1000	5700	70	AM427980055	4062172240673
PSS SHP V3 P 1000W 757 ASY VS1 OSRAM	1000	5700	70	AM427990055	4062172240680
PSS SHP V3 P 1000W 857 UNB VS1 OSRAM	1000	5700	80	AM428000055	4062172240697
PSS SHP V3 P 1000W 857 NB VS1 OSRAM	1000	5700	80	AM428010055	4062172240703
PSS SHP V3 P 1000W 857 MB VS1 OSRAM	1000	5700	80	AM428020055	4062172240710
PSS SHP V3 P 1000W 857 UWB VS1 OSRAM	1000	5700	80	AM428030055	4062172240727
PSS SHP V3 P 1000W 857 ASY VS1 OSRAM	1000	5700	80	AM428040055	4062172240734
PSS SHP V3 P 1000W 957 UNB VS1 OSRAM	1000	5700	90	AM430790055	4062172244305
PSS SHP V3 P 1000W 957 NB VS1 OSRAM	1000	5700	90	AM430800055	4062172244312
PSS SHP V3 P 1000W 957 MB VS1 OSRAM	1000	5700	90	AM430810055	4062172244329
PSS SHP V3 P 1000W 957 UWB VS1 OSRAM	1000	5700	90	AM430820055	4062172244336
PSS SHP V3 P 1000W 957 ASY VS1 OSRAM	1000	5700	90	AM430830055	4062172244343
PSS SHP V3 P 1200W 757 UNB VS1 OSRAM	1200	5700	70	AM428050055	4062172240741
PSS SHP V3 P 1200W 757 NB VS1 OSRAM	1200	5700	70	AM428060055	4062172240758
PSS SHP V3 P 1200W 757 MB VS1 OSRAM	1200	5700	70	AM428070055	4062172240765
PSS SHP V3 P 1200W 757 UWB VS1 OSRAM	1200	5700	70	AM428080055	4062172240772
PSS SHP V3 P 1200W 757 ASY VS1 OSRAM	1200	5700	70	AM428090055	4062172240789
PSS SHP V3 P 1200W 857 UNB VS1 OSRAM	1200	5700	80	AM428100055	4062172240796
PSS SHP V3 P 1200W 857 NB VS1 OSRAM	1200	5700	80	AM428110055	4062172240802
PSS SHP V3 P 1200W 857 MB VS1 OSRAM	1200	5700	80	AM428120055	4062172240819
PSS SHP V3 P 1200W 857 UWB VS1 OSRAM	1200	5700	80	AM428130055	4062172240826
PSS SHP V3 P 1200W 857 ASY VS1 OSRAM	1200	5700	80	AM428140055	4062172240833
PSS SHP V3 P 1200W 957 UNB VS1 OSRAM	1200	5700	90	AM430840055	4062172244350
PSS SHP V3 P 1200W 957 NB VS1 OSRAM	1200	5700	90	AM430850055	4062172244367
PSS SHP V3 P 1200W 957 MB VS1 OSRAM	1200	5700	90	AM430860055	4062172244374
PSS SHP V3 P 1200W 957 UWB VS1 OSRAM	1200	5700	90	AM430870055	4062172244381
PSS SHP V3 P 1200W 957 ASY VS1 OSRAM	1200	5700	90	AM430880055	4062172244398
PSS SHP V3 P 1500W 757 UNB VS1 OSRAM	1500	5700	70	AM428150055	4062172240840
PSS SHP V3 P 1500W 757 NB VS1 OSRAM	1500	5700	70	AM428160055	4062172240857
PSS SHP V3 P 1500W 757 MB VS1 OSRAM	1500	5700	70	AM428170055	4062172240864

V1.0 09/21· Specifications are subject to change without notice. Errors and omission excepted, always make sure to use the most recent release.

# PURSOS® SHP V3 Flood Light-Premium

## Ordering Codes

### Led Light Engine

Short Text	Power	CCT	CRI	Material	EAN40
PSS SHP V3 P 1500W 757 UWB VS1 OSRAM	1500	5700	70	AM428180055	4062172240871
PSS SHP V3 P 1500W 757 ASY VS1 OSRAM	1500	5700	70	AM428190055	4062172240888
PSS SHP V3 P 1500W 857 UNB VS1 OSRAM	1500	5700	80	AM428200055	4062172240895
PSS SHP V3 P 1500W 857 NB VS1 OSRAM	1500	5700	80	AM428210055	4062172240901
PSS SHP V3 P 1500W 857 MB VS1 OSRAM	1500	5700	80	AM428220055	4062172240918
PSS SHP V3 P 1500W 857 UWB VS1 OSRAM	1500	5700	80	AM428230055	4062172240925
PSS SHP V3 P 1500W 857 ASY VS1 OSRAM	1500	5700	80	AM428240055	4062172240932
PSS SHP V3 P 1500W 957 UNB VS1 OSRAM	1500	5700	90	AM430890055	4062172244404
PSS SHP V3 P 1500W 957 NB VS1 OSRAM	1500	5700	90	AM430900055	4062172244411
PSS SHP V3 P 1500W 957 MB VS1 OSRAM	1500	5700	90	AM430910055	4062172244428
PSS SHP V3 P 1500W 957 UWB VS1 OSRAM	1500	5700	90	AM430920055	4062172244435
PSS SHP V3 P 1500W 957 ASY VS1 OSRAM	1500	5700	90	AM430930055	4062172244442

### Gear Box

Short Text	Power	Control	Material	EAN40
PSS SHP V3 P 800W GEARBOX DMX VS1 OSRAM	800	ON-OFF/DMX	AM428250055	4062172241977
PSS SHP V3 P 1000W GEARBOX DMX VS1 OSRAM	1000	ON-OFF/DMX	AM428260055	4062172241984
PSS SHP V3 P 1200W GEARBOX DMX VS1 OSRAM	1200	ON-OFF/DMX	AM428270055	4062172241991
PSS SHP V3 P 1500W GEARBOX DMX VS1 OSRAM	1500	ON-OFF/DMX	AM428280055	4062172242004
PSS SHP V3 P 800W GEARBOX DIM VS1 OSRAM	800	ON-OFF/0-10V/PWM	AM442160055	4062172262033
PSS SHP V3 P 1000W GEARBOX DIM VS1 OSRAM	1000	ON-OFF/0-10V/PWM	AM442170055	4062172262040
PSS SHP V3 P 1200W GEARBOX DIM VS1 OSRAM	1200	ON-OFF/0-10V/PWM	AM442180055	4062172262057
PSS SHP V3 P 1500W GEARBOX DIM VS1 OSRAM	1500	ON-OFF/0-10V/PWM	AM442190055	4062172262064
PSS SHP V3 P 800W GEARBOX DALI VS1 OSRAM	800	ON-OFF/DALI	AM438480055	4062172261968
PSS SHP V3 P 1000W GEARBOX DALI VS1 OSRAM	1000	ON-OFF/DALI	AM438490055	4062172261975
PSS SHP V3 P 1200W GEARBOX DALI VS1 OSRAM	1200	ON-OFF/DALI	AM438500055	4062172262019
PSS SHP V3 P 1500W GEARBOX DALI VS1 OSRAM	1500	ON-OFF/DALI	AM438510055	4062172262026

### Accessories

Short Text	Material	EAN40
PSS SHP V3 CABLE 2CORE 1METER VS20 OSRAM	AM428290055	4062172242011
PSS SHP V3 CABLE 5CORE 1METER VS20 OSRAM	AM428300055	4062172242028
PSS SHP V3 VISOR 1000W ACC VS4 OSRAM	AM428310055	4062172242035
PSS SHP V3 VISOR 1500W ACC VS4 OSRAM	AM428320055	4062172242042

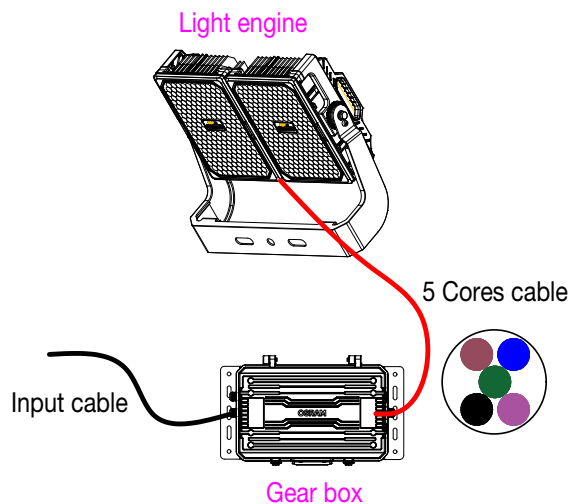
# PURSOS® SHP V3 Flood Light-Premium

## Ordering Notes

The premium edition consists of three parts: light engine + gear box + connection cable, the IC lists above are for these parts.

### 1. For 2 modules

Item	Description	Quantity
1	Light Engine	1 pcs
2	Gear Box	1 pcs
3	Connection cable PSS SHP V3 EXTENSION CABLE 5 CORE 1M ACC (AM428300055)	1 pcs



### 2. For 3 modules

Item	Description	Quantity	
1	Light Engine	1 pcs	
2	Gear Box	1 pcs	
3	Connection cable	Cable 1 PSS SHP V3 EXTENSION CABLE 2 CORE 1M ACC (AM428290055)	1 pcs
		Cable 2 PSS SHP V3 EXTENSION CABLE 5 CORE 1M ACC (AM428300055)	1 pcs

