

Simplitz® Flood Light V2

Datasheet



Simplitz® Flood Light V2 series, classic appearance design, durable aluminum die-casting housing with high strength tempered glass, full power ranges from 50W to 400W, flexible optical design for 10 to 120 degree of Symmetry / Asymmetry distribution, flexible configuration can satisfy all kinds of indoor and outdoor application, such as billboard lighting, street cross area lighting and general flood lighting. IP66 /IK08 protection grade, high efficiency, Ultra-long lumen maintenance, Simplitz® Flood light V2 is the best choice for renovation projects or new building project, not only achieves good lighting effect, but also greatly reduces investments and maintenance costs.

Benefits

Fulfill various lighting application

- Full power range, From 50W to 400W
- Varied Light distribution, 10 to 120 degree of Symmetry / Asymmetry for flexible choice
- Flicker free

High reliability

- Ultra-Lumen Maintenance L70 - 70000hours@ta 30°C
- Durable Aluminum Die-casting housing
- High Level protection, IP66&IK08
- Full Operating Temp: -40°C to +55°C

Applications

- Billboard illumination
- Facade and building illuminations
- Street cross area lighting
- Flood lighting

Simplitz® Flood Light V2

Technical Data

Optical Specifications

	Micro			Mini	Midi	Maxi			
Power	50W	70W	100W	150W	200W	250W	300W	400W	
Luminous Flux	3000K	6350 lm	8890 lm	12700 lm	19050 lm	25400 lm	31750 lm	38100 lm	50800 lm
	4000K	6600 lm	9240 lm	13200 lm	19800 lm	26400 lm	33000 lm	39600 lm	52800 lm
	5700K	6600 lm	9240 lm	13200 lm	19800 lm	26400 lm	33000 lm	39600 lm	52800 lm
Efficacy	3000K	127 lm/W							
	4000K	132 lm/W							
	5700K	132 lm/W							
CCT	3000K, 4000K, 5700K, others on requested*								
CRI (Ra)	CRI > 70, others on requested*								
SDCM	5								
Beam Angle	20°, 30°, 60°, 50x100°, others on requested*								

Electrical and Mechanical Specifications

Input Voltage	220-240V AC 50/60Hz								
Rated Power	50W	70W	100W	150W	200W	250W	300W	400W	
Power factor	>0.95								
Total Harmonic Distortion (THD)	≤10%								
Surge protection	Independent SPD, Line-to-line 10KV, line-to-ground 10KV								
Dimensions	Length	305mm			355mm	400mm	561mm		
	Width	285mm			325mm	360mm	406mm		
	Height	70mm			70mm	76mm	73mm		
Weight	4.5kg			6.0kg	7.5kg	13.6kg			
Optical	PC Lens+ Tempered Glass								
Housing	Die-casting Aluminum Housing								
Color	White Aluminum, RAL9006								

System Specifications

Power	AC line
Dimmable	ON / OFF, 1-10V/0-10V dimming on requested*
Installation	Bracket mounting
Operating Temperature	-40°C to +55°C
Storage Temperature	-40°C to +85°C
Environment	Outdoor (IP66, IK08)
Lumen Maintenance	L70 - 70000hours@ta 30°C
Warranty	5 Years
Safety Approval	Electrical Protection Class I, CB, CQC, Photobiological safety, RoHS

* Means customization on requested, please check with product manager first.

Due to the special conditions of manufacturing process of LED, the typical data of technical parameters can only reflect statistical figures and do not necessarily correspond to the actual parameters of each single product which could differ from typical data.

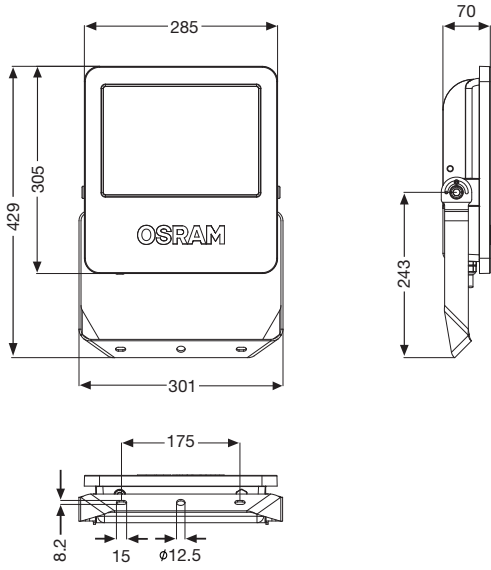
Exceeding maximum ratings for operation voltage will cause hazardous overload and will likely destroy the LED module.

Exceeding maximum ratings for operation and storage temperature will reduce expected life time or destroy the LED module.

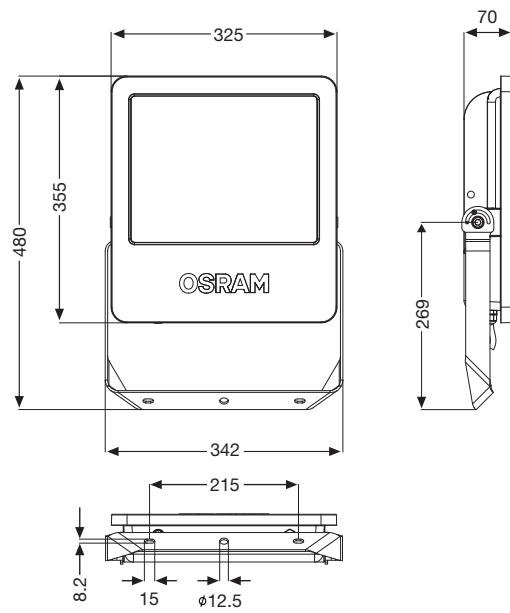
Simplitz® Flood Light V2

Dimensions (Unit: mm)

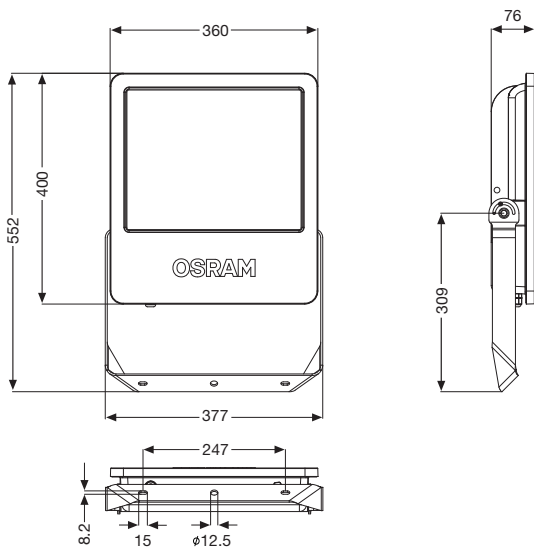
Micro 50 / 70 / 100W



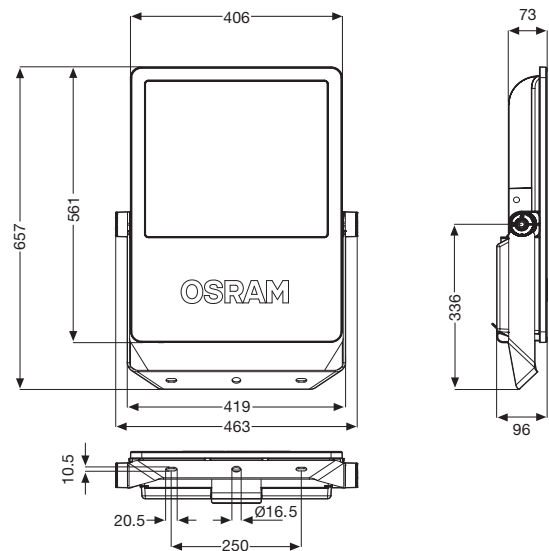
Mini 150W



Midi 200 / 250W



Maxi 300 / 400W

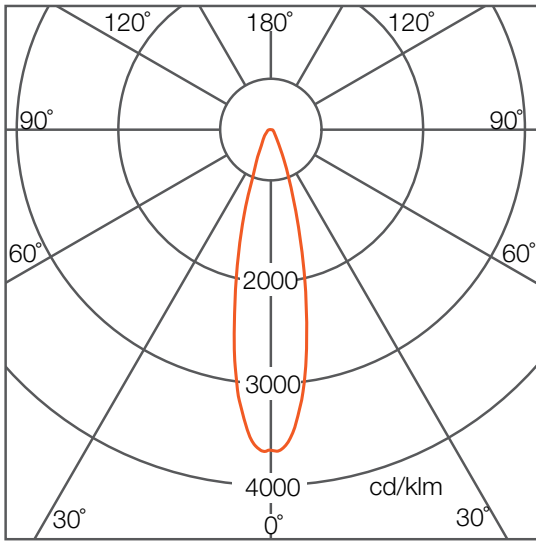


Simplitz® Flood Light V2

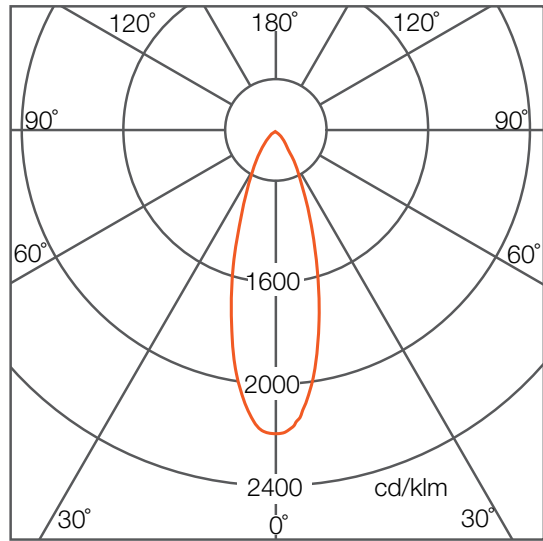
Photometrics

Light Distribution Curve

20°



30°



Illuminance at a distance

	Center Beam Lux/klm	Beam Width
		H
0.5m	14052	0.22m
1.0m	3513	0.44m
1.5m	1561	0.66m
2.0m	878	0.88m
2.5m	562	1.10m
3.0m	390	1.32m

● Horiz. Spread: 24.8°

For feet multiply by 3.28 For fc divide by 10.7

	Center Beam Lux/klm	Beam Width
		H
0.5m	8602	0.29m
1.0m	2150	0.59m
1.5m	956	0.88m
2.0m	538	1.18m
2.5m	344	1.47m
3.0m	239	1.77m

● Horiz. Spread: 32.8°

For feet multiply by 3.28 For fc divide by 10.7

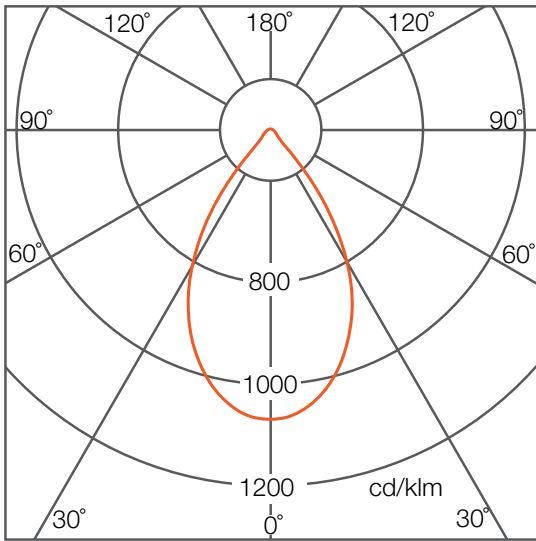
Due to the manufacturing processes of LED, the polar candela distribution and distance luminaries only reflect statistical figures and do not necessarily correspond to the actual parameters of individual product that may differ from the typical values.

Simplitz® Flood Light V2

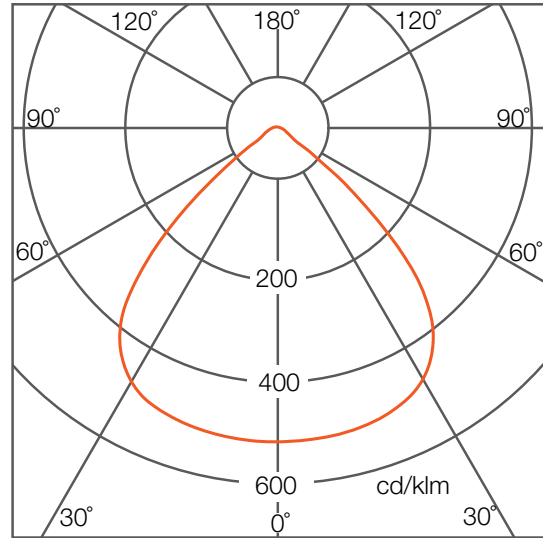
Photometrics

Light Distribution Curve

60°



90°



Illuminance at a distance

Center Beam Lux/klm

Beam Width

H

0.5m	4290	0.60m
1.0m	1073	1.20m
1.5m	477	1.80m
2.0m	268	2.39m
2.5m	172	2.99m
3.0m	119	3.59m

● Horiz. Spread: 61.8°

For feet multiply by 3.28

For fc divide by 10.7

Center Beam Lux/klm

Beam Width

H

0.5m	2100	1.04m
1.0m	525	2.08m
1.5m	233	3.12m
2.0m	131	4.16m
2.5m	84	5.20m
3.0m	58	6.23m

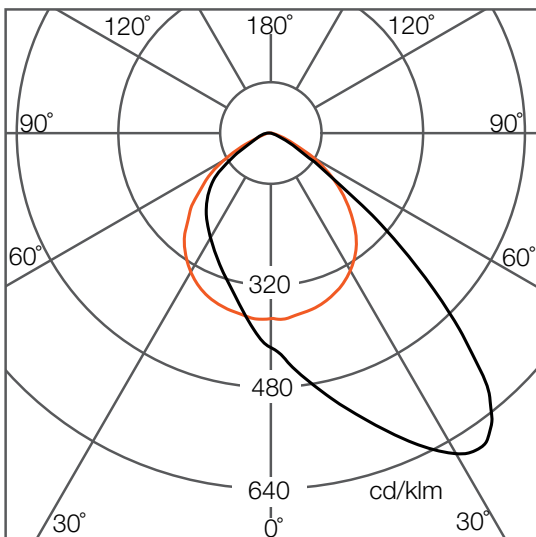
● Horiz. Spread: 92.2°

For feet multiply by 3.28

For fc divide by 10.7

Light Distribution Curve

50° x 100°



Due to the manufacturing processes of LED, the polar candela distribution and distance luminaries only reflect statistical figures and do not necessarily correspond to the actual parameters of individual product that may differ from the typical values.

Simplitz® Flood Light V2

Ordering Codes

Fixture

Short Text	Power	CCT	Beam Angle	Material	EAN10	EAN40
SIM FL V2 50W 730 20D 2X1 OSRAM	50	3000	20D	AM413040055	4062172217040	4062172217057
SIM FL V2 50W 740 20D 2X1 OSRAM	50	4000	20D	AM413050055	4062172217064	4062172217071
SIM FL V2 50W 757 20D 2X1 OSRAM	50	5700	20D	AM413060055	4062172217088	4062172217095
SIM FL V2 50W 730 30D 2X1 OSRAM	50	3000	30D	AM413070055	4062172217101	4062172217118
SIM FL V2 50W 740 30D 2X1 OSRAM	50	4000	30D	AM413080055	4062172217125	4062172217132
SIM FL V2 50W 757 30D 2X1 OSRAM	50	5700	30D	AM413090055	4062172217149	4062172217156
SIM FL V2 50W 730 60D 2X1 OSRAM	50	3000	60D	AM413100055	4062172217163	4062172217170
SIM FL V2 50W 740 60D 2X1 OSRAM	50	4000	60D	AM413110055	4062172217187	4062172217194
SIM FL V2 50W 757 60D 2X1 OSRAM	50	5700	60D	AM413120055	4062172217200	4062172217217
SIM FL V2 50W 730 50X100D 2X1 OSRAM	50	3000	50X100D	AM413130055	4062172217224	4062172217231
SIM FL V2 50W 740 50X100D 2X1 OSRAM	50	4000	50X100D	AM413140055	4062172217248	4062172217255
SIM FL V2 50W 757 50X100D 2X1 OSRAM	50	5700	50X100D	AM413150055	4062172217262	4062172217279
SIM FL V2 70W 730 20D 2X1 OSRAM	70	3000	20D	AM413160055	4062172217286	4062172217293
SIM FL V2 70W 740 20D 2X1 OSRAM	70	4000	20D	AM413170055	4062172217309	4062172217316
SIM FL V2 70W 757 20D 2X1 OSRAM	70	5700	20D	AM413180055	4062172217323	4062172217330
SIM FL V2 70W 730 30D 2X1 OSRAM	70	3000	30D	AM413190055	4062172217347	4062172217354
SIM FL V2 70W 740 30D 2X1 OSRAM	70	4000	30D	AM413200055	4062172217361	4062172217378
SIM FL V2 70W 757 30D 2X1 OSRAM	70	5700	30D	AM413210055	4062172217385	4062172217392
SIM FL V2 70W 730 60D 2X1 OSRAM	70	3000	60D	AM413220055	4062172217408	4062172217415
SIM FL V2 70W 740 60D 2X1 OSRAM	70	4000	60D	AM413230055	4062172217422	4062172217439
SIM FL V2 70W 757 60D 2X1 OSRAM	70	5700	60D	AM413240055	4062172217446	4062172217453
SIM FL V2 70W 730 50X100D 2X1 OSRAM	70	3000	50X100D	AM413250055	4062172217460	4062172217477
SIM FL V2 70W 740 50X100D 2X1 OSRAM	70	4000	50X100D	AM413260055	4062172217484	4062172217491
SIM FL V2 70W 757 50X100D 2X1 OSRAM	70	5700	50X100D	AM413270055	4062172217507	4062172217514
SIM FL V2 100W 730 20D 2X1 OSRAM	100	3000	20D	AM413280055	4062172217521	4062172217538
SIM FL V2 100W 740 20D 2X1 OSRAM	100	4000	20D	AM413290055	4062172217545	4062172217552
SIM FL V2 100W 757 20D 2X1 OSRAM	100	5700	20D	AM413300055	4062172217569	4062172217576
SIM FL V2 100W 730 30D 2X1 OSRAM	100	3000	30D	AM413310055	4062172217583	4062172217590
SIM FL V2 100W 740 30D 2X1 OSRAM	100	4000	30D	AM413320055	4062172217606	4062172217613
SIM FL V2 100W 757 30D 2X1 OSRAM	100	5700	30D	AM413330055	4062172217620	4062172217637
SIM FL V2 100W 730 60D 2X1 OSRAM	100	3000	60D	AM413340055	4062172217644	4062172217651
SIM FL V2 100W 740 60D 2X1 OSRAM	100	4000	60D	AM413350055	4062172217668	4062172217675
SIM FL V2 100W 757 60D 2X1 OSRAM	100	5700	60D	AM413360055	4062172217682	4062172217699
SIM FL V2 100W 730 50X100D 2X1 OSRAM	100	3000	50X100D	AM413370055	4062172217705	4062172217712
SIM FL V2 100W 740 50X100D 2X1 OSRAM	100	4000	50X100D	AM413380055	4062172217729	4062172217736
SIM FL V2 100W 757 50X100D 2X1 OSRAM	100	5700	50X100D	AM413390055	4062172217743	4062172217750

Simplitz® Flood Light V2

Ordering Codes

Fixture

Short Text	Power	CCT	Beam Angle	Material	EAN10	EAN40
SIM FL V2 150W 730 20D 2X1 OSRAM	150	3000	20D	AM413400055	4062172217767	4062172217774
SIM FL V2 150W 740 20D 2X1 OSRAM	150	4000	20D	AM413410055	4062172217781	4062172217798
SIM FL V2 150W 757 20D 2X1 OSRAM	150	5700	20D	AM413420055	4062172217804	4062172217811
SIM FL V2 150W 730 30D 2X1 OSRAM	150	3000	30D	AM413430055	4062172217828	4062172217835
SIM FL V2 150W 740 30D 2X1 OSRAM	150	4000	30D	AM413440055	4062172217842	4062172217859
SIM FL V2 150W 757 30D 2X1 OSRAM	150	5700	30D	AM413450055	4062172217866	4062172217873
SIM FL V2 150W 730 60D 2X1 OSRAM	150	3000	60D	AM413460055	4062172217880	4062172217897
SIM FL V2 150W 740 60D 2X1 OSRAM	150	4000	60D	AM413470055	4062172217903	4062172217910
SIM FL V2 150W 757 60D 2X1 OSRAM	150	5700	60D	AM413480055	4062172217927	4062172217934
SIM FL V2 150W 730 50X100D 2X1 OSRAM	150	3000	50X100D	AM413490055	4062172217941	4062172217958
SIM FL V2 150W 740 50X100D 2X1 OSRAM	150	4000	50X100D	AM413500055	4062172217965	4062172217972
SIM FL V2 150W 757 50X100D 2X1 OSRAM	150	5700	50X100D	AM413510055	4062172217989	4062172217996
SIM FL V2 200W 730 20D 2X1 OSRAM	200	3000	20D	AM413520055	4062172218245	4062172218252
SIM FL V2 200W 740 20D 2X1 OSRAM	200	4000	20D	AM413530055	4062172218269	4062172218276
SIM FL V2 200W 757 20D 2X1 OSRAM	200	5700	20D	AM413540055	4062172218283	4062172218290
SIM FL V2 200W 730 30D 2X1 OSRAM	200	3000	30D	AM413550055	4062172218306	4062172218313
SIM FL V2 200W 740 30D 2X1 OSRAM	200	4000	30D	AM413560055	4062172218320	4062172218337
SIM FL V2 200W 757 30D 2X1 OSRAM	200	5700	30D	AM413570055	4062172218344	4062172218351
SIM FL V2 200W 730 60D 2X1 OSRAM	200	3000	60D	AM413580055	4062172218368	4062172218375
SIM FL V2 200W 740 60D 2X1 OSRAM	200	4000	60D	AM413590055	4062172218382	4062172218399
SIM FL V2 200W 757 60D 2X1 OSRAM	200	5700	60D	AM413600055	4062172218405	4062172218412
SIM FL V2 200W 730 50X100D 2X1 OSRAM	200	3000	50X100D	AM413610055	4062172218429	4062172218436
SIM FL V2 200W 740 50X100D 2X1 OSRAM	200	4000	50X100D	AM413620055	4062172218443	4062172218450
SIM FL V2 200W 757 50X100D 2X1 OSRAM	200	5700	50X100D	AM413630055	4062172218467	4062172218474
SIM FL V2 250W 730 20D 2X1 OSRAM	250	3000	20D	AM413640055	4062172218481	4062172218498
SIM FL V2 250W 740 20D 2X1 OSRAM	250	4000	20D	AM413650055	4062172218504	4062172218511
SIM FL V2 250W 757 20D 2X1 OSRAM	250	5700	20D	AM413660055	4062172218528	4062172218535
SIM FL V2 250W 730 30D 2X1 OSRAM	250	3000	30D	AM413670055	4062172218542	4062172218559
SIM FL V2 250W 740 30D 2X1 OSRAM	250	4000	30D	AM413680055	4062172218566	4062172218573
SIM FL V2 250W 757 30D 2X1 OSRAM	250	5700	30D	AM413690055	4062172218580	4062172218597
SIM FL V2 250W 730 60D 2X1 OSRAM	250	3000	60D	AM413700055	4062172218603	4062172218610
SIM FL V2 250W 740 60D 2X1 OSRAM	250	4000	60D	AM413710055	4062172218627	4062172218634
SIM FL V2 250W 757 60D 2X1 OSRAM	250	5700	60D	AM413720055	4062172218641	4062172218658
SIM FL V2 250W 730 50X100D 2X1 OSRAM	250	3000	50X100D	AM413730055	4062172218665	4062172218672
SIM FL V2 250W 740 50X100D 2X1 OSRAM	250	4000	50X100D	AM413740055	4062172218689	4062172218696
SIM FL V2 250W 757 50X100D 2X1 OSRAM	250	5700	50X100D	AM413750055	4062172218702	4062172218719

Simplitz® Flood Light V2

Ordering Codes

Fixture

Short Text	Power	CCT	Beam Angle	Material	EAN10	EAN40
SIM FL V2 300W 730 20D VS1 OSRAM	300	3000	20D	AM413760055		4062172218009
SIM FL V2 300W 740 20D VS1 OSRAM	300	4000	20D	AM413770055		4062172218016
SIM FL V2 300W 757 20D VS1 OSRAM	300	5700	20D	AM413780055		4062172218023
SIM FL V2 300W 730 30D VS1 OSRAM	300	3000	30D	AM413790055		4062172218030
SIM FL V2 300W 740 30D VS1 OSRAM	300	4000	30D	AM413800055		4062172218047
SIM FL V2 300W 757 30D VS1 OSRAM	300	5700	30D	AM413810055		4062172218054
SIM FL V2 300W 730 60D VS OSRAM	300	3000	60D	AM413820055		4062172218061
SIM FL V2 300W 740 60D VS1 OSRAM	300	4000	60D	AM413830055		4062172218078
SIM FL V2 300W 757 60D VS1 OSRAM	300	5700	60D	AM413840055		4062172218085
SIM FL V2 300W 730 50X100D VS1 OSRAM	300	3000	50X100D	AM413850055		4062172218092
SIM FL V2 300W 740 50X100D VS1 OSRAM	300	4000	50X100D	AM413860055		4062172218108
SIM FL V2 300W 757 50X100D VS1 OSRAM	300	5700	50X100D	AM413870055		4062172218115
SIM FL V2 400W 730 20D VS1 OSRAM	400	3000	20D	AM413880055		4062172218122
SIM FL V2 400W 740 20D VS1 OSRAM	400	4000	20D	AM413890055		4062172218139
SIM FL V2 400W 757 20D VS1 OSRAM	400	5700	20D	AM413900055		4062172218146
SIM FL V2 400W 730 30D VS1 OSRAM	400	3000	30D	AM413910055		4062172218153
SIM FL V2 400W 740 30D VS1 OSRAM	400	4000	30D	AM413920055		4062172218160
SIM FL V2 400W 757 30D VS1 OSRAM	400	5700	30D	AM413930055		4062172218177
SIM FL V2 400W 730 60D VS1 OSRAM	400	3000	60D	AM413940055		4062172218184
SIM FL V2 400W 740 60D VS1 OSRAM	400	4000	60D	AM413950055		4062172218191
SIM FL V2 400W 757 60D VS1 OSRAM	400	5700	60D	AM413960055		4062172218207
SIM FL V2 400W 730 50X100D VS1 OSRAM	400	3000	50X100D	AM413970055		4062172218214
SIM FL V2 400W 740 50X100D VS1 OSRAM	400	4000	50X100D	AM413980055		4062172218221
SIM FL V2 400W 757 50X100D VS1 OSRAM	400	5700	50X100D	AM413990055		4062172218238