

## Simplitz<sup>®</sup> Louver Datasheet



### IP40

Simplitz<sup>®</sup> Louver is the perfect back-lit LED lighting solution for office areas and assortment of public buildings. Efficacy up to 120lm/W and long life time 50,000hrs brings more energy and cost savings. The optimized optical design ensure have high uniformity and good glare control, and IP40 rating body also help to reduce dust and small insects. Meanwhile, this flexible platform offers more customization possibilities such as different dimensions, powers, other specs, also offers different structure like air-slot and indirect lighting solutions.

### Benefits

- Full product range
  - 2ftX2ft/4ftX1ft
  - Recessed/suspended/PCV/integrated ceiling
  - 3000K/4000K/5700K/6500K
  - On/off & Dali dimming
  - Customization offering refer to below configuration table

### Energy and cost saving

- Up to 120lm/W
- 50,000hrs lifetime

### Visual comfort

- Excellent optical design ensure high uniformity
- Without flicker
- SDCM less than 5 steps
- UGR less than 19

### High reliability

- IP40 rating body
- Equipped with Osram original driver

### Applications

- Office
- Public building
- Metro
- Bank
- Hospital

# Simplitz® Louver

## Technical Data

### Configuration table

Product Family	Product Category	Power	CRI	Efficacy (lm/W)	SDCM	Size	CCT	Control	UGR	ID
Simplitz®	Louver	32W	80	110	<5	596X596	4000K	On/Off	<22	Air-slot*
		28W*	90*	120	<3*	1196x296	6500K	Dali	<19	Indirect lighting*
		35W*		130*		1200X300*	3000K*	Tunable white*		
		50W*				600X600*	5700K*			
		55W*				1196X596*	3000 - 6500K*			
						1200X600*				
					Customized size					

Notes \* means customized and need to contact local sales organization directly.

### Optical Specifications

		2FTX2FT		4FTX1FT	
<b>Luminous Flux</b>	4000K	3700 lm	3400 lm	3600 lm	3300 lm
	6500K	3700 lm	3400 lm	3600 lm	3300 lm
<b>Efficacy</b>	@4000K	120 lm/W	110 lm/W	115 lm/W	105 lm/W
<b>UGR</b>		22	19	22	19
<b>CCT</b>		4000K, 6500K			
<b>CRI</b>		>80 (R9>0)			
<b>SDCM</b>		5			
<b>Beam Angle</b>		110°	90°	110°	90°

### Electrical and Mechanical Specifications

<b>Input Voltage</b>	220-240VAC			
<b>Power Consumption</b>	32W		32W	
<b>Dimensions (Recessed L x W x H)</b>	596mm x 596mm x 67mm		1196mm x 296mm x 67mm	
	<b>(Integrated Ceiling L x W x H)</b>		1200mm x 300mm x 67mm	
<b>Weight</b>	2440g	2840g	2640g	3040g
<b>Cover Lens</b>	Plastic			
<b>Housing</b>	SPCC			

### System Specifications

<b>Control</b>	ON/OFF & Dali
<b>Installation</b>	Recessed/Suspended/Integrated ceiling/PCV
<b>Operating Temperature</b>	-20°C to +40°C
<b>Storage Temperature</b>	-30°C to +80°C
<b>Environment</b>	Indoor (IP40 body)
<b>Lumen Maintenance</b>	L70@25°C - 50,000 hrs
<b>Safety Approval</b>	Electrical Protection Class II, CCC, CB, RoHS

Due to the special conditions of manufacturing process of LED, the typical data of technical parameters can only reflect statistical figures and do not necessarily correspond to the actual parameters of each single product which could differ from typical data.

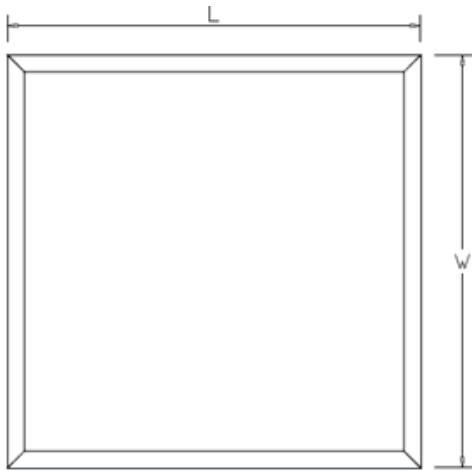
Exceeding maximum ratings for operation voltage will cause hazardous overload and will likely destroy the LED module.

Exceeding maximum ratings for operation and storage temperature will reduce expected life time or destroy the LED module.

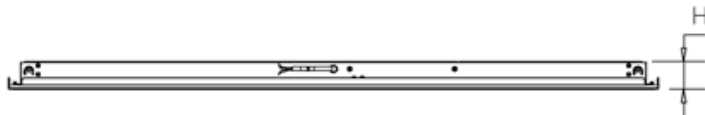
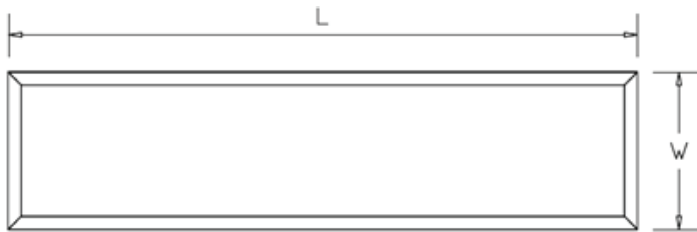
## Simplitz® Louver

### Dimensions

2FT X 2FT



4FT X 1FT



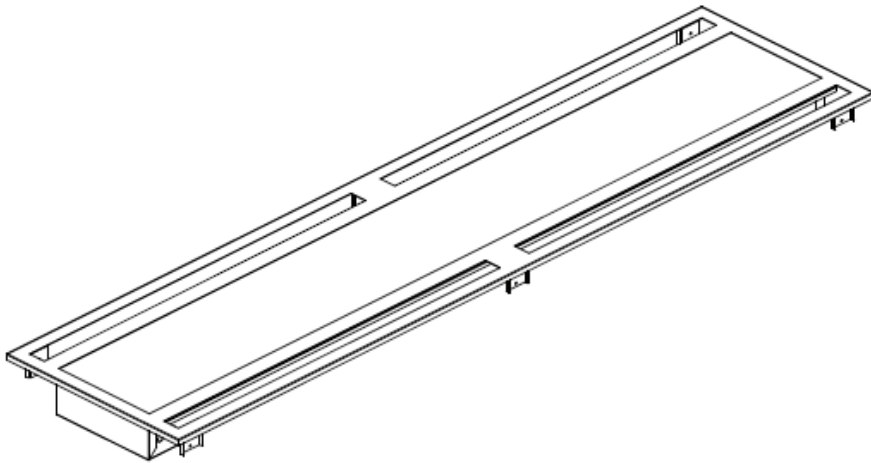
### Dimensions

	2FTX2FT		4FTX1FT	
	Recessed	Integrated Ceiling	Recessed	Integrated Ceiling
W	596mm	600mm	1196mm	1200mm
L	596mm	600mm	296mm	300mm
H	67mm	67mm	67mm	67mm

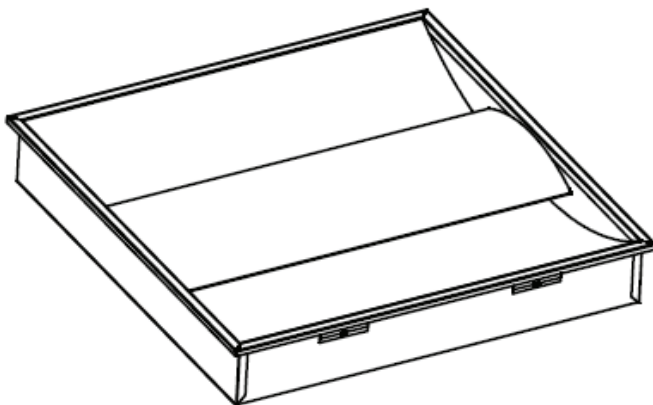
---

Simplitz® Louver  
Photometrics

**Air-slot louver drawing indication**



**Indirect lighting louver drawing indication**



**Notes: Any customization requirements, please contact with local sale organization.**

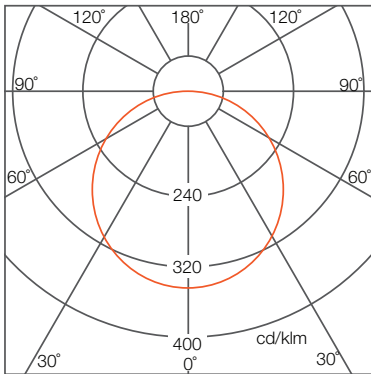
Due to the manufacturing processes of LED, the polar candela distribution and distance luminaries only reflect statistical figures and do not necessarily correspond to the actual parameters of individual product that may differ from the typical values.

# Simplitz® Louver

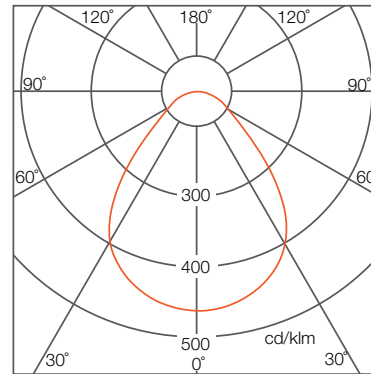
## Photometrics

### Light Distribution Curve

UGR22



UGR19



### Illuminance at a distance

	Center Beam Lux/klm	Beam Width H
0.5m	1337	1.61m
1.0m	334	3.23m
1.5m	149	4.84m
2.0m	84	6.45m
2.5m	53	8.06m
3.0m	37	9.68m

For feet multiply by 3.28

● Horiz. Spread: 116.4°  
For fc divide by 10.7

	Center Beam Lux/klm	Beam Width H
0.5m	1803	1.03m
1.0m	451	2.06m
1.5m	200	3.10m
2.0m	113	4.13m
2.5m	72	5.16m
3.0m	50	6.19m

For feet multiply by 3.28

● Horiz. Spread: 91.8°  
For fc divide by 10.7

Due to the manufacturing processes of LED, the polar candela distribution and distance luminaries only reflect statistical figures and do not necessarily correspond to the actual parameters of individual product that may differ from the typical values.

---

## Simplitz® Louver Ordering Codes

---

### Fixture

Short Text	Power	CCT	Length	Beam Angle	Beam Angle	EAN40
SIM LV 32W 840 0606 VS2 OSRAM	32W	4000K	596X596mm	110°	AM268980055	4062172035026
SIM LV 32W 865 0606 VS2 OSRAM	32W	6500K	596X596mm	110°	AM269000055	4062172035033
SIM LV 32W 840 0312 VS2 OSRAM	32W	4000K	1196X296mm	110°	AM268990055	4062172035040
SIM LV 32W 865 0312 VS2 OSRAM	32W	6500K	1196X296mm	110°	AM269160055	4062172035057
SIM LV 32W 840 0606 GC VS2 OSRAM	32W	4000K	596X596mm	90°	AM269010055	4062172035064
SIM LV 32W 865 0606 GC VS2 OSRAM	32W	6500K	596X596mm	90°	AM269020055	4062172035071
SIM LV 32W 840 0312 GC VS2 OSRAM	32W	4000K	1196X296mm	90°	AM269030055	4062172035088
SIM LV 32W 865 0312 GC VS2 OSRAM	32W	6500K	1196X296mm	90°	AM269040055	4062172035095
SIM LV 32W 840 0606 DA VS2 OSRAM	32W	4000K	596X596mm	110°	AM269050055	4062172035101
SIM LV 32W 865 0606 DA VS2 OSRAM	32W	6500K	596X596mm	110°	AM269070055	4062172035118
SIM LV 32W 840 0312 DA VS2 OSRAM	32W	4000K	1196X296mm	110°	AM269060055	4062172035125
SIM LV 32W 865 0312 DA VS2 OSRAM	32W	6500K	1196X296mm	110°	AM269080055	4062172035132
SIM LV 32W 840 0606 GC DA VS2 OSRAM	32W	4000K	596X596mm	90°	AM269090055	4062172035149
SIM LV 32W 865 0606 GC DA VS2 OSRAM	32W	6500K	596X596mm	90°	AM269110055	4062172035156
SIM LV 32W 840 0312 GC DA VS2 OSRAM	32W	4000K	1196X296mm	90°	AM269100055	4062172035163
SIM LV 32W 865 0312 GC DA VS2 OSRAM	32W	6500K	1196X296mm	90°	AM269120055	4062172035170
LCM LV Recessed Kits V2 150X1 OSRAM					AM251420055	4062172028110